



TEKNOTHERM

MARINE

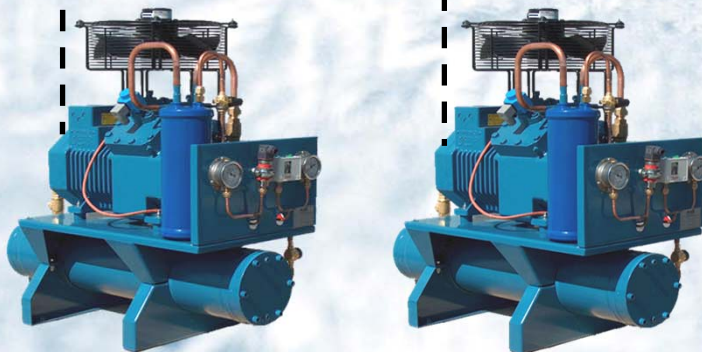
Provision Room Refrigeration System



Individual provision room control panels



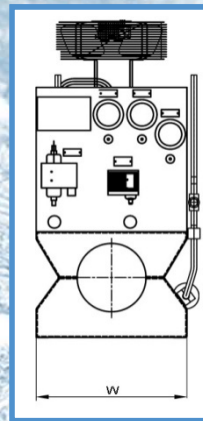
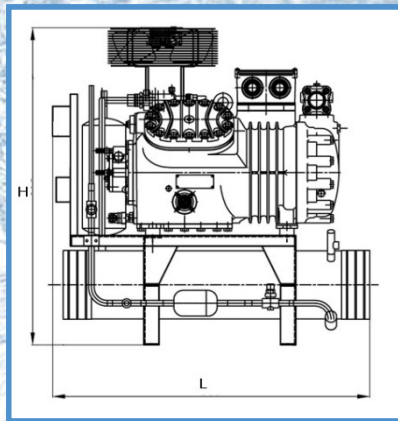
Compressor starter-
and control panel



MCU-condensing units

- ◆ Designed for marine use
- ◆ Environmental friendly refrigerants
- ◆ Designed for decentralized operating-
and monitoring system

MCU Condensing Unit



Type	Refr. capacity	Length	Width	Height
MCU-P-00	1,3 kW	900 mm	425 mm	898 mm
MCU-P-01	2,3 kW	900 mm	425 mm	898 mm
MCU-P-02	3,1 kW	900 mm	425 mm	898 mm
MCU-P-03	4,0 kW	900 mm	425 mm	898 mm
MCU-P-04	4,8 kW	900 mm	425 mm	898 mm
MCU-P-05	6,1 kW	900 mm	425 mm	898 mm
MCU-P-06	8,3 kW	900 mm	425 mm	898 mm
MCU-P-07	12,0 kW	900 mm	425 mm	898 mm

Capacities based on:

Condenser cooling water : Fresh water, +38°C
 Freezing room temp. : -25°C

Refrigerant : R-404a
 Supply voltage : 3 x 440V-60Hz

We reserve the rights to change specification without notice.

Rev. 01/2012

Head office - Halden
 P.O. Box 87, N-1751 Halden, Norway
 Phone: +47 69 19 09 00 - Fax: +47 69 19 09 01
www.teknotherm.com

