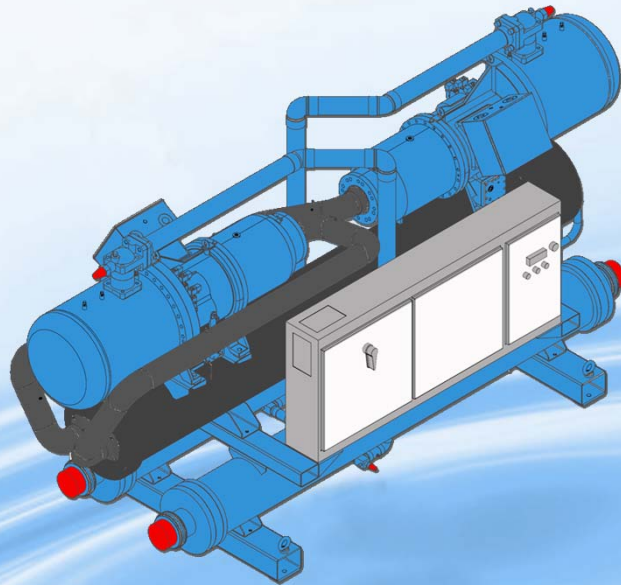




# **TEKNOTHERM**

**MARINE**



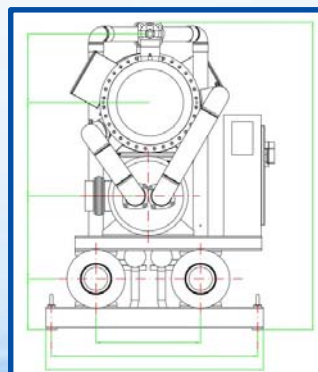
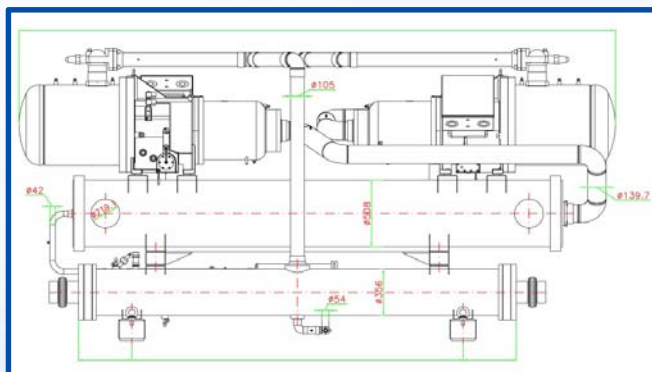
## **MWC - Marine Water Chiller Twin- and single compressor serie**

**MWC – Marine Water Chiller is specially designed HVAC-chillers  
for all kind of merchant ships.  
The unit is designed for future environmental expectations.**

- ✔ Wide capacity range from 180 kW to 1376 kW**
- ✔ Twin- and single compressor arrangement**
- ✔ Compact type screw compressor with capacity regulation**
- ✔ Dry expansion shell & tube evaporator**
- ✔ Fresh- or seawater cooled shell & tube condenser**
- ✔ Factory assembled packages including  
internal piping and electric cabling**
- ✔ Low refrigerant charge**
- ✔ Refrigerant R-134a**
- ✔ Motorstarter of direct- or star-delta type**
- ✔ Meet environmental class requirement**

# MWC – Marine Water Chiller

## Twin- and single compressor serie



Unit	Nr. Compr.	UNIT CAPACITY kW	Overall dimension in (mm)		
			Length	Height	Width
MWC-C-180-S-E	1	180	3610	1610	1400
MWC-C-210-S-E	1	210	3680	1610	1400
MWC-C-230-S-E	1	230	3680	1610	1400
MWC-C-260-S-E	1	260	3680	1610	1400
MWC-C-330-S-E	1	330	3700	1670	1400
MWC-C-380-S-E	1	380	3700	1770	1400
MWC-C-440-S-E	1	440	3700	1770	1400
MWC-C-500-S-E	1	500	3730	1870	1600
MWC-C-570-S-E	1	570	3730	1900	1610
MWC-C-640-S-E	1	640	3730	1900	1610
MWC-C-690-S-E	1	690	3730	1900	1610

MWC-C-520-T-E	2	520	4150	1620	1600
MWC-C-660-T-E	2	660	4150	1620	1600
MWC-C-760-T-E	2	760	4150	1715	1600
MWC-C-800-T-E	2	880	4170	1860	1600
MWC-C-1010-T-E	2	1010	4170	1860	1600
MWC-C-1140-T-E	2	1140	4480	1860	1600
MWC-C-1280-T-E	2	1280	4480	1860	1630
MWC-C-1370-T-E	2	1370	4560	2260	1700

Dimensions is for guidelines only

We reserve the rights to change specification without notice.

Rev. 08/2013

Head office - Halden  
P.O. Box 87, N-1751 Halden, Norway  
Phone: +47 69 19 09 00 - Fax: +47 69 19 09 01  
[www.teknotherm.com](http://www.teknotherm.com)

