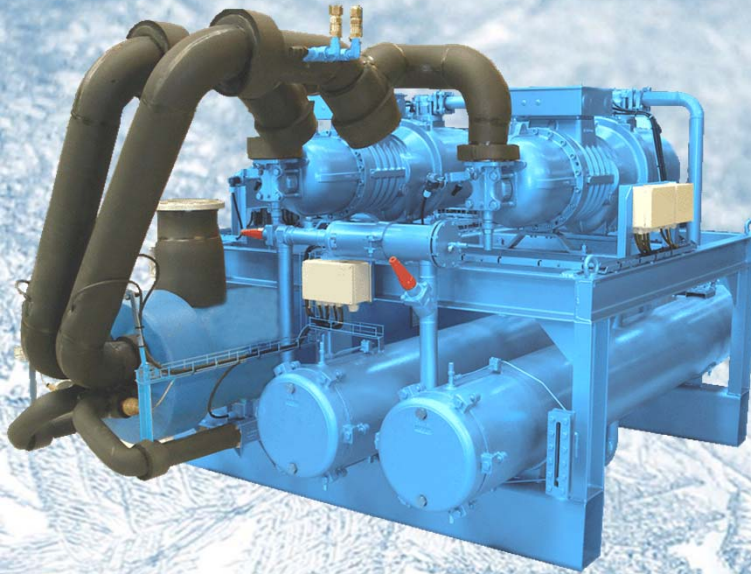





TEKNOTHERM

MARINE



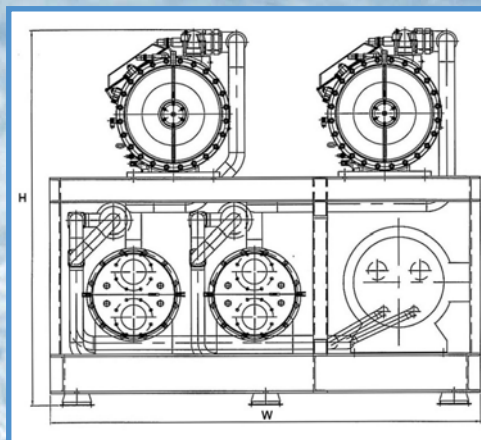
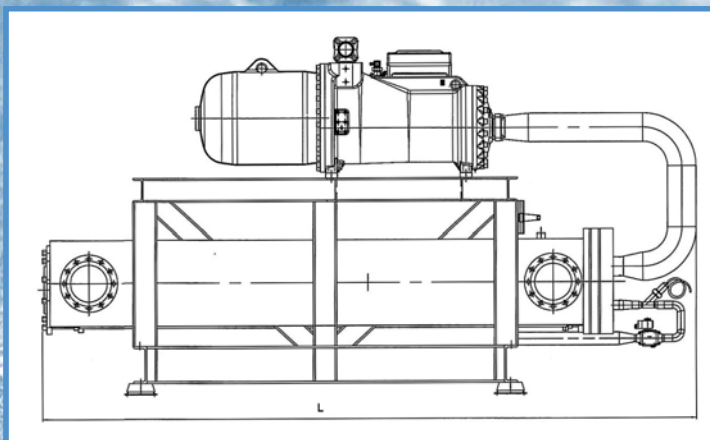
MWC - Marine Water Chiller Twin compressor serie

MWC – Marine Water Chiller is specially designed HVAC-chillers for passenger ferries, small cruise ships, and oil- and offshore vessels.

- ◆ Wide capacity range from 270 kW to 2150 kW
- ◆ Twin compressor arrangement
- ◆ Compact type screw compressor with capacity regulation
- ◆ Dry expansion shell & tube evaporator
- ◆ Fresh- or seawater cooled shell & tube condenser
- ◆ Factory assembled packages including internal piping and electric cabling
- ◆ Low refrigerant charge
- ◆ Refrigerant R-407c (R-134a as option)
- ◆  **TEKNO-TRONIC**® touch-screen monitoring and control
- ◆ Motorstarter of direct- or star-delta type (for separate installation)
- ◆ Custom-built to meet all major classification societies
- ◆ Meet environmental class requirement

MWC – Marine Water Chiller

Twin compressor serie



Model	Total kW		Total m ³ /h		Overall dimensions in mm		
	Refr. Capacity	Power consumpt.	Chilled Water flow	Condenser Water flow	Length	Height	Width
MWC 270 TW	270	114	41	94	3200	2200	2000
MWC 310 TW	310	134	46	94	3200	2200	2000
MWC 370 TW	370	152	54,5	136	3200	2200	2000
MWC 450 TW	450	184	67	136	3200	2200	2000
MWC 510 TW	510	204	76	136	3300	2300	2000
MWC 540 TW	540	222	81	174	3300	2300	2000
MWC 650 TW	650	260	96	174	3300	2300	2000
MWC 720 TW	720	286	107	230	3300	2300	2200
MWC 800 TW	800	316	121	230	3700	2300	2200
MWC 910 TW	910	348	137	230	3700	2300	2300
MWC 960 TW	960	372	143	294	3700	2300	2400
MWC 1210 TW	1210	454	181	294	4400	2300	2400
MWC 1630 TW	1630	616	244	444	4400	2400	2400
MWC 1920 TW	1920	696	287	444	4800	2500	2400
MWC 2150 TW	2150	778	320	544	4800	2500	2500

Reference data based on:

Chilled water	: ETG 10%
Water temp. in	: +12°C
Water temp. out	: + 6°C
Refrigerant	: R-407c
Condenser cooling water	: Fresh water, +38°C
Supply voltage	: 3 x 440V-60Hz

Note! All data and measures are subject to final design.

We reserve the rights to change specification without notice.

Rev. 01/2012

Head office - Halden
P.O. Box 87, N-1751 Halden, Norway
Phone: +47 69 19 09 00 - Fax: +47 69 19 09 01
www.teknotherm.com

