



# TEKNOTHERM

MARINE



## RSW UNIT with reciprocating compressor

### Factory assembled RSW-unit

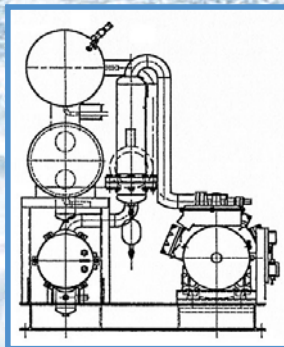
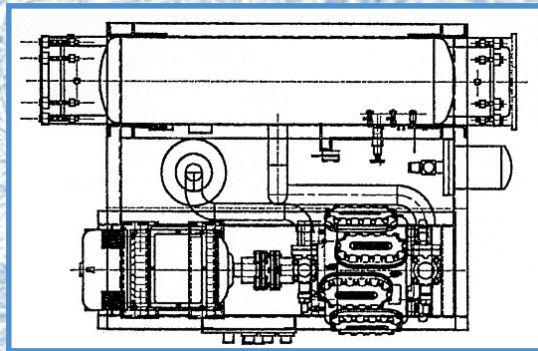
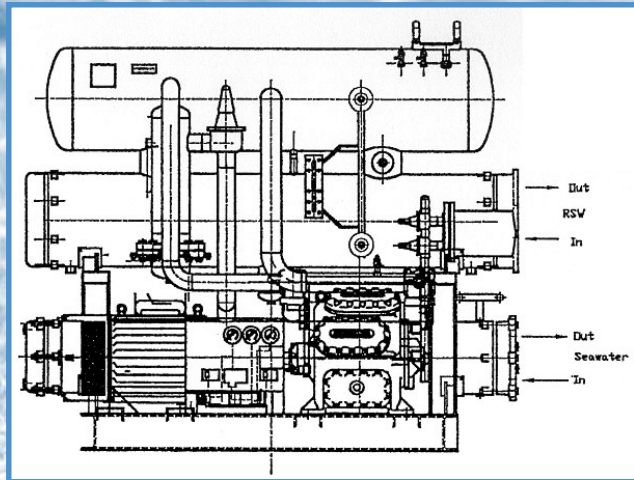
- ◆ Reduced installation time onboard
- ◆ Wide capacity range from 50 kW to 600 kW
- ◆ Ammonia or Halocarbons as refrigerant
- ◆ Shell & tube chiller with seawater inside the tubes and refrigerant evaporating outside
- ◆ Shell & tube condensers
- ◆ Easy cleanable waterside
- ◆ High corrosion resistance with titanium or al-brass tubes in chiller and condenser
- ◆ Units are shop piped and wired
- ◆ Reciprocating compressor with capacity regulation
- ◆ Optional factory mounted insulation

### **Teknotherm RSW-system**

Teknotherm RSW plants mean rapid chill-down and storage of the catch in Refrigerated Sea Water. Storing the catch in RSW is an effective and cost-saving method of preserving the catch until landing ashore or further processing on board. The catch is brought down close to the freezing point of seawater or freshwater in a minimum time by Teknotherm's highly efficient RSW-chillers of flooded shell & tube type.



# RSW UNIT with reciprocating compressor



**Consult Teknotherm for full specification  
for your project.**

We reserve the rights to change specification without notice.

Rev. 01/2012

Head office - Halden  
P.O. Box 2074, N-1760 Halden, Norway  
Phone: +47 69 19 09 00 - Fax: +47 69 19 09 01  
[www.teknotherm.com](http://www.teknotherm.com)

