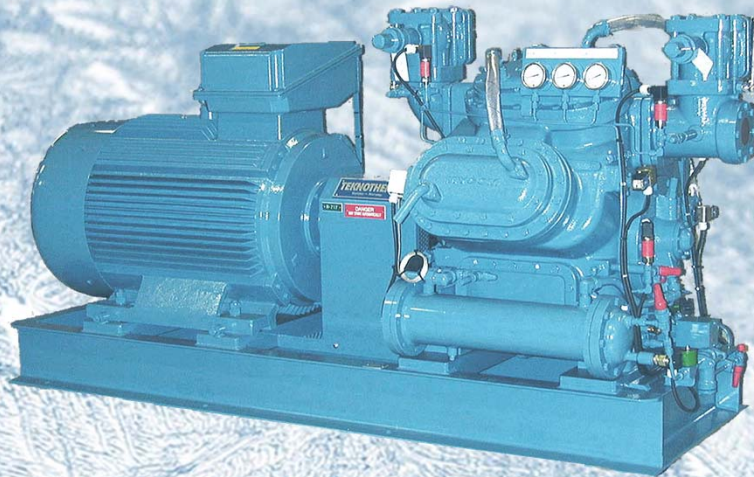




# TEKNOTHERM

MARINE



## RECIPROCATING COMPRESSOR UNIT K - WA - L

**The compressor unit** is specially designed for marine application. Components and materials are chosen with reference to long experience in marine refrigeration. Special care has been given to dimensions, weights and easy maintenance.

**The unit is**, as standard, delivered complete assembled on steel frame with compressor, el. motor, gauge-panel and cut-outs for HP, LP and OP. V-belt or direct drive with protection guard.

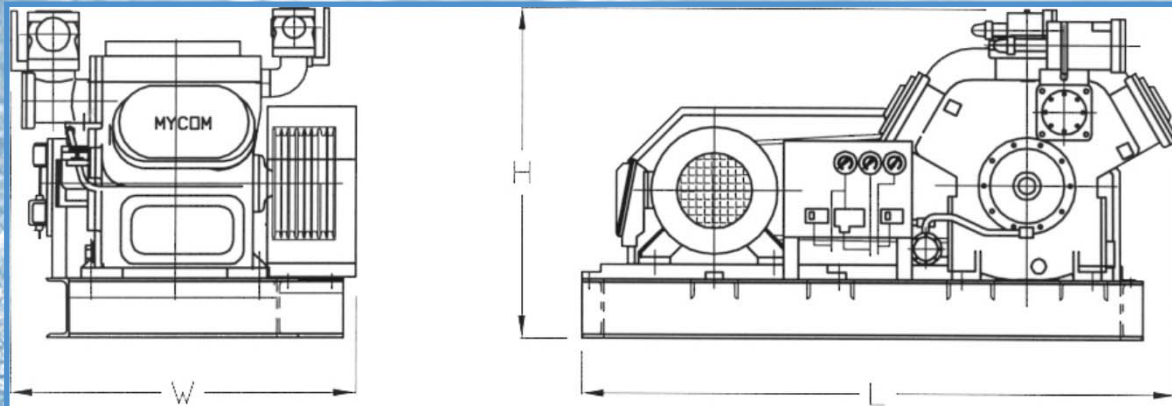
The units can be delivered in 3 models with 3 basic variants with 4, 6 or 8 cylinders for refrigerant HCFC, HFC and ammonia.

**The compressor**, of Mycom make, has crankcase of highgrade cast iron, forced lubrication with oilpump and oilstrainer, spring-loaded safety heads (WA and L), suction- and discharge valve of ring type. Removable pistons and cylinder sleeves. Crankshaft of ductile iron - dynamically and statically balanced for smooth operation.

**Capacity regulation** is operated hydraulically by solenoid valves. Suction strainer of fine mesh type and crankcase heater.

Externally the compressor is fitted with suction- and discharge stop valves. Aircooled headcovers and oilcooler of refrigerant cooled DX type. Safety valve is provided as protection against abnormal refrigerant gas pressure increase.

# RECIPROCATING COMPRESSOR UNIT



Compressor type	Svept volume m <sup>3</sup> /h - 1450 rpm	L mm	W mm	H mm	Approx. weight Kg with motor
Mycom 4K	128	1450	600	800	530
Mycom 6K	193	1550	650	850	650
Mycom 8K	257	1600	700	900	720
Mycom 4WA	187	1700	1070	1170	980
Mycom 6WA	281	1750	1100	1220	1250
Mycom 8WA	375	1800	1120	1290	1450
Mycom 4L	325	1800	950	1070	1100
Mycom 6L	488	1900	1150	1110	1420
Mycom 8L	651	1950	1200	1190	1600

## **Note**

Ammonia models will have watercooled heads.  
 Oilseparator may be supplied separate or mounted.  
 PLC-control with pressure transmitters is optional.  
 V-belt or direct drive.

We reserve the rights to change specification without notice.

Rev. 05/2012

Head office - Halden  
 P.O. Box 87, N-1751 Halden, Norway  
 Phone: +47 69 19 09 00 - Fax: +47 69 19 09 01  
[www.teknotherm.com](http://www.teknotherm.com)

