



# TEKNOTHERM

MARINE



## SCREW COMPRESSOR UNIT

**The compressor unit** is specially designed for marine application. Components and materials are chosen with reference to long experience in marine refrigeration. Special care has been given to dimensions, weights and easy maintenance. Suitable for all common refrigerants.

**The unit is**, as standard, delivered complete assembled with compressor, motor, oilcooler, oilpump, oilfilter, suction strainer, check valves etc. Further is provided gauge-panel with safety devices for pressure and temperatures. The unit has internal oilpiping and el.wiring. The units can be delivered in a number of variants.

**The screw compressor**, of Mycom make, is a positive displacement rotary machine having two rotors - male and female, made of special forged steel, mounted in a casing of high grade cast iron. The main bearing are sleeve type lined with metal. The balance piston practically eliminates thrust on the bearing, resulting in long service. The compressor has built-in capacity control by 100-10% by stepless slide valve mechanism, and manual adjustable volumetric ratio.

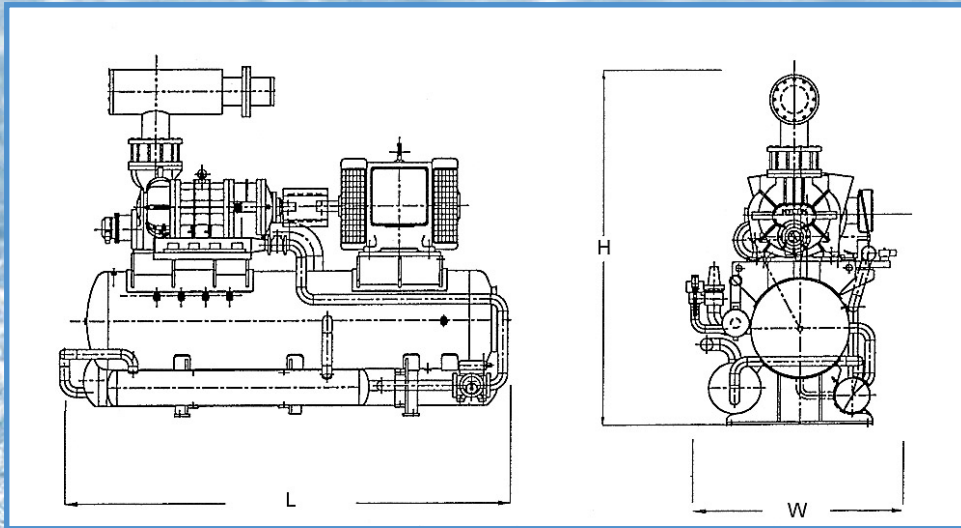
**The oil separator** is of two stage type with special coalescing elements, effectively separating oil from the discharge gas.

**The oil cooler** is as standard of shell & tube type. Either in seawater cooled execution or of thermosyphon type. Oil cooling by refrigerant injection is also available. Oil temperature will be kept stable by thermostatic controllers.

**The oil pump** is a highly efficient gear type with double helical gears and built-in relief valve.

**The electric control panel** is fully PLC based, consists of necessary control, protection and safety devices and automatic capacity control. All circuits are interlocked to protect the system from malfunction. The panel contains automatic capacity controller and current limiter function, run time indicator, ampermeters and pilot lights. The control panel to be either built-on the unit, or supplied separately.

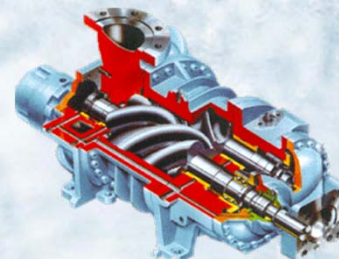
# SCREW COMPRESSOR UNIT



Compr. type		Swept volume m <sup>3</sup> /h at 50Hz operation	Swept volume m <sup>3</sup> /h at 60Hz operation	L mm	W mm	H mm	Approx. weight Kg with motor
F/N 125	S	197	237	1900	800	1500	1200
	L	295	356	1900	800	1500	1250
F/N 160V	S	415	499	2350	900	1910	2050
	M	519	624	2550	900	1910	2100
	L	622	749	2550	900	1910	2150
F/N 200V	S	810	975	2750	1000	2300	2750
	M	1020	1220	2750	1000	2300	2800
	L	1210	1460	2750	1000	2300	2850
F/N 250V	S	1580	1900	Appr. 4500	Appr. 1500		Appr. 7000
	M	1980	2380				
	L	2360	2840				

Data for F/N 320 and F/N 400 series on request.

- Capacities for various operating conditions on request
- Economizer operation is available on all models
- Booster and compound models available



We reserve the rights to change specification without notice.

Rev. 05/2012

Head office - Halden  
 P.O. Box 87, N-1751 Halden, Norway  
 Phone: +47 69 19 09 00 - Fax: +47 69 19 09 01  
[www.teknotherm.com](http://www.teknotherm.com)

