

Air Conditioning

Our range of refrigerating units will cover every need for refrigeration onboard a modern vessel. Tailor made to fulfil all requirements from shipyards, ship-owners, classification and national authorities.

Our refrigeration machineries are constructed for marine applications. Components and materials are chosen on the basis of our long experience in the marine refrigeration business.

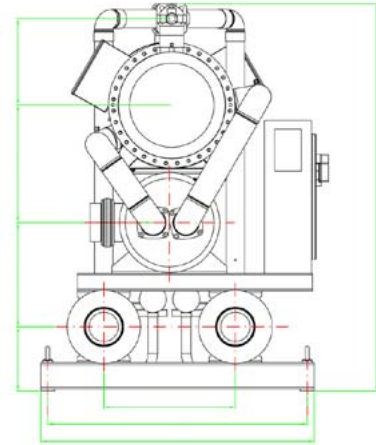
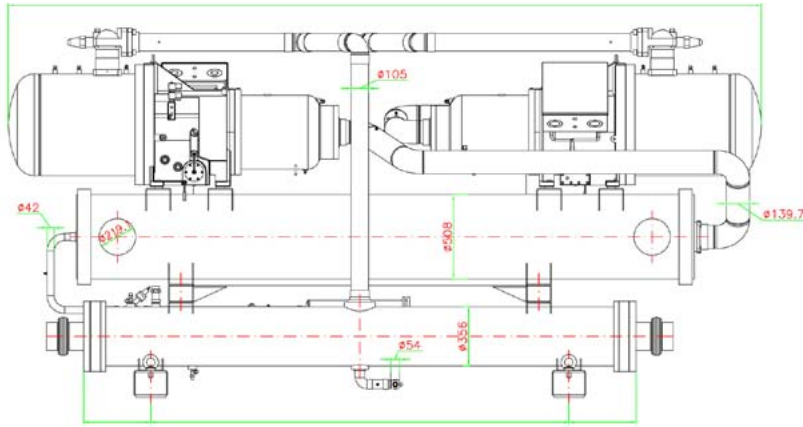
Emphasis is put on small dimensions, low weight and easy maintenance as well as site installation friendly solutions.



The refrigeration plants can be delivered either as direct expansion systems or as chilling-water plants for indirect cooling. Depending on your specific demands or required capacity, our plants can be delivered with compressors for reciprocating- or screw type systems, or as multi compressor units fitted with several compressors and different degree of prefabrication, for instance so-called "Deck-units".

Whatever the requirements, TEKNOTHERM will provide an optimal designed plant that meets your demands.

Twin compressor



Twin compressor models

Model	Nr. Compr.	UNIT CAPACITY kW	Overall dimension (mm)		
			Length	Height	Width
MWC-C-520-T-E	2	520	4150	1620	1600
MWC-C-660-T-E	2	660	4150	1620	1600
MWC-C-760-T-E	2	760	4150	1715	1600
MWC-C-800-T-E	2	880	4170	1860	1600
MWC-C-1010-T-E	2	1010	4170	1860	1600
MWC-C-1140-T-E	2	1140	4480	1860	1600
MWC-C-1280-T-E	2	1280	4480	1860	1630
MWC-C-1370-T-E	2	1370	4560	2260	1700

Dimensions if for guidelines only.

Design data : 3 x 440V-60Hz

The capacity is based at FW 38°C and chilled water 6-12°C