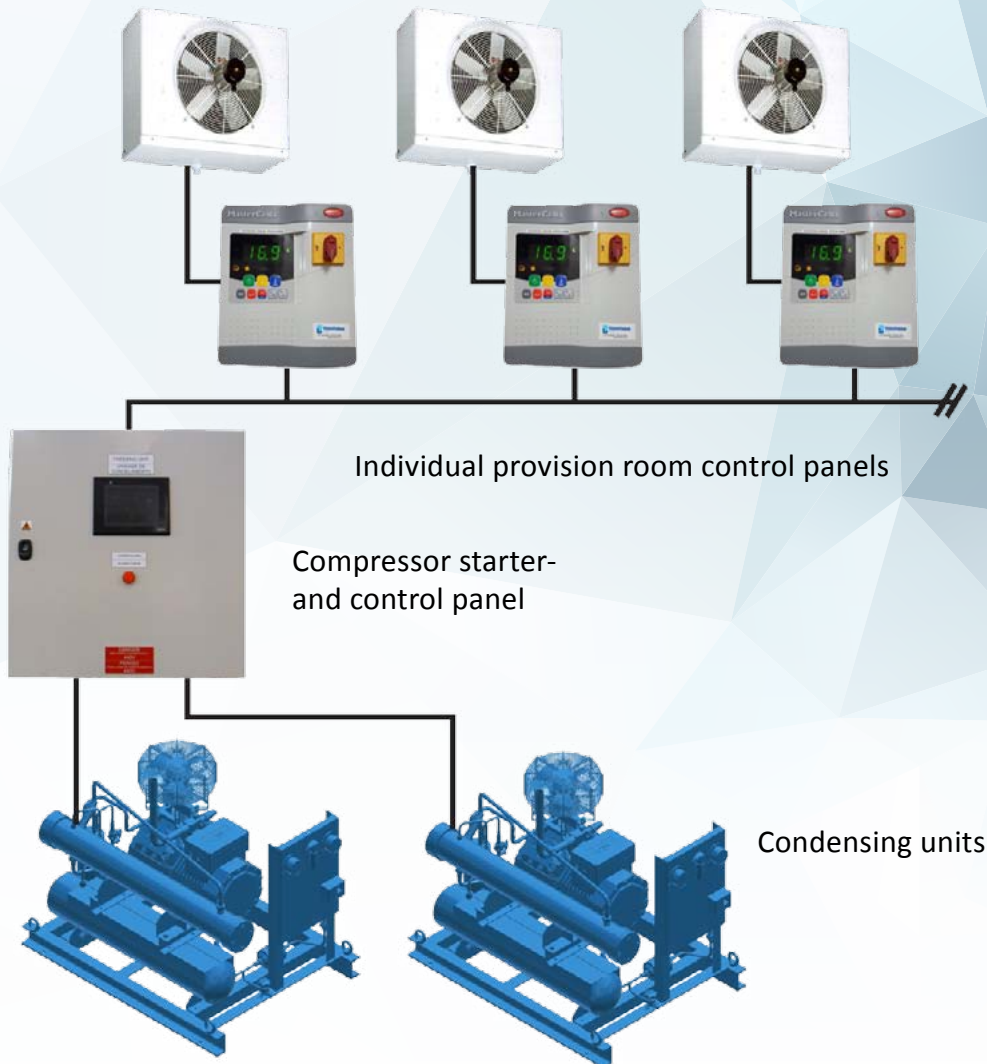


Provision Room Refrigeration System



- Designed for marine use
- Environmental friendly refrigerants
- Designed for decentralized operating- and monitoring system



Heating



Ventilation

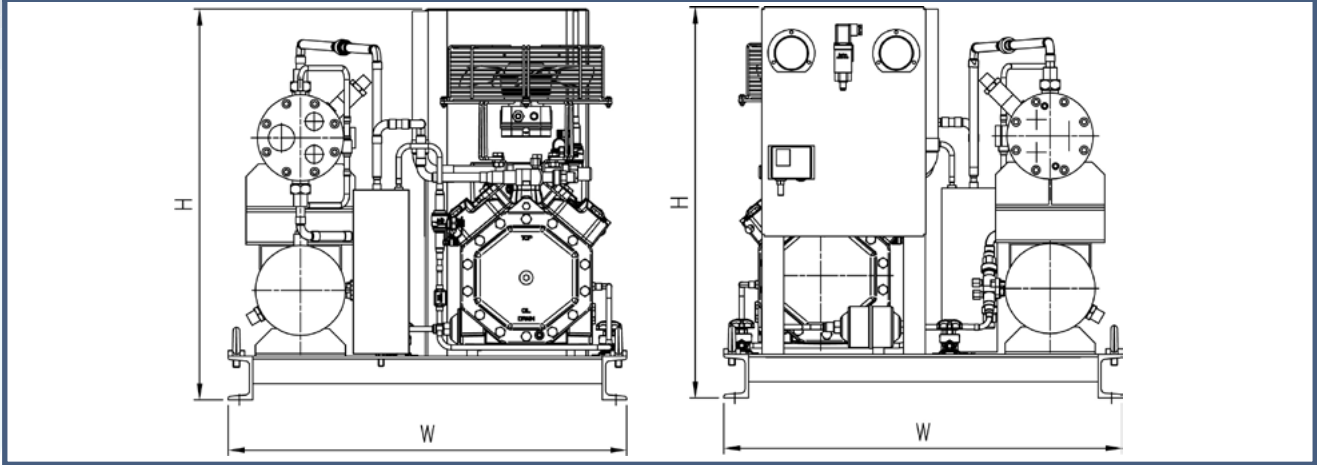


Air Conditioning



Refrigeration

Condensing unit



Twin compressor models

Type	REFR. CAPACITY	Overall dimension (mm)		
	kW	Length mm	Height mm	Width mm
MCU-P-00	1,3	1800	750	730
MCU-P-01	2,3	1800	750	730
MCU-P-02	3,1	1800	750	730
MCU-P-03	4,0	1800	750	730
MCU-P-04	4,8	1800	750	730
MCU-P-05	6,1	1800	750	730
MCU-P-06	8,3	1800	800	730
MCU-P-07	12,0	1800	800	730

Capacities based on:

Condenser cooling water : Fresh water 38°C

Freezing room temperature : -25°C

Refrigerant : R-407F

Supply voltage : 3 x 440V-60Hz