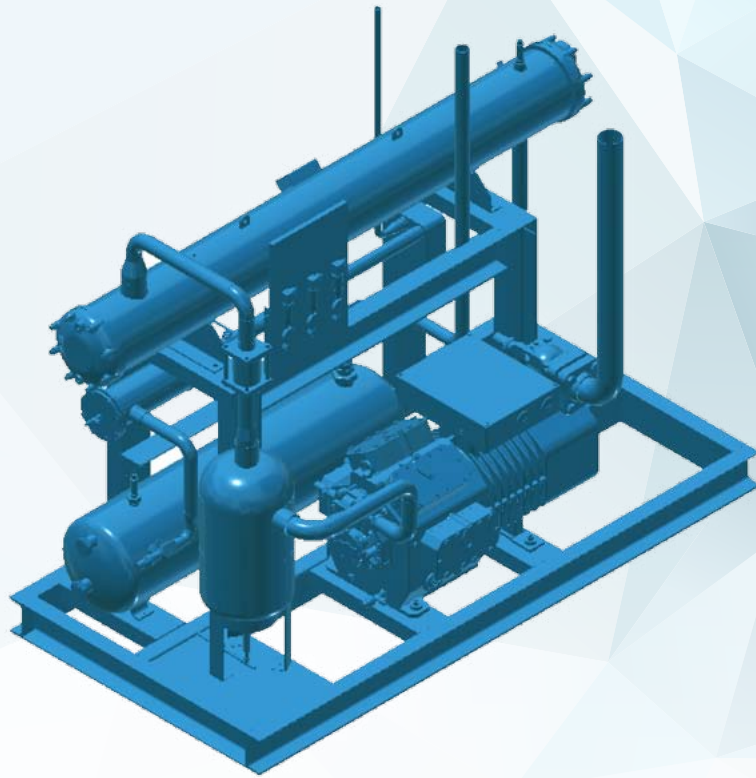
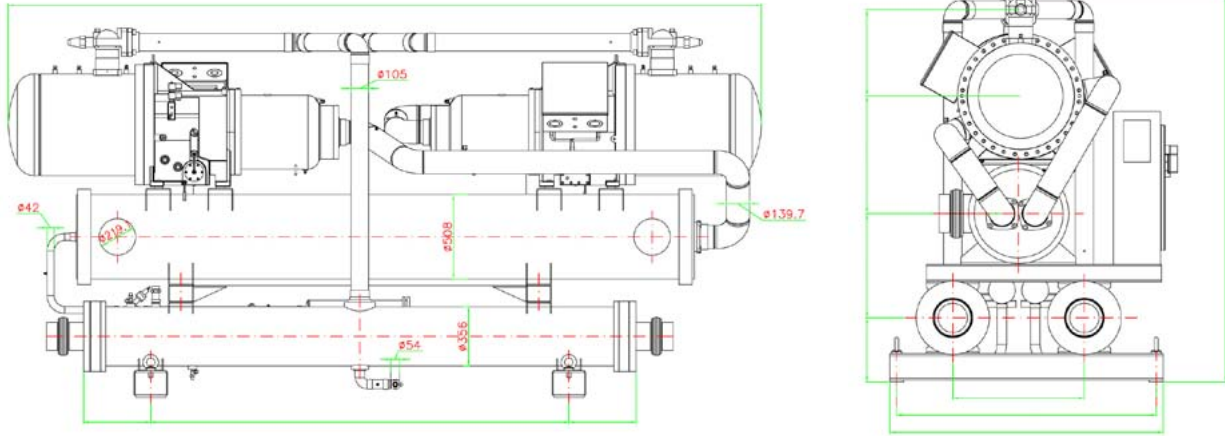


Marine Condensing Unit



- Capacity range 3 kW to 200 kW
- Open or semihermetic piston compressor
- Designed for marine use
- Fresh- or seawater cooled shell & tube condenser
- Environmental friendly refrigerants
- Typical installations:
 - * Airconditioning
 - * Provision stores

Twin compressor



Twin compressor models

Model	Nr. Compr.	UNIT CAPACITY kW	Overall dimension (mm)		
			Length	Height	Width
MWC-C-520-T-E	2	520	4150	1620	1600
MWC-C-660-T-E	2	660	4150	1620	1600
MWC-C-760-T-E	2	760	4150	1715	1600
MWC-C-800-T-E	2	880	4170	1860	1600
MWC-C-1010-T-E	2	1010	4170	1860	1600
MWC-C-1140-T-E	2	1140	4480	1860	1600
MWC-C-1280-T-E	2	1280	4480	1860	1630
MWC-C-1370-T-E	2	1370	4560	2260	1700

Dimensions if for guidelines only.

Design data : 3 x 440V-60Hz

The capacity is based at FW 38°C and chilled water 6-12°C