

# Marine Water Chiller

Single unit



**Marine Water Chiller is specially designed HVAC-chillers  
for all kind of merchant ships.  
The unit is designed for future environmental expectations.**

- Wide capacity range from 140 kW to 1050 kW
- Single compressor arrangement
- Compact type screw compressor with capacity regulation
- Dry expansion shell & tube evaporator
- Fresh- or seawater cooled shell & tube condenser
- Factory assembled packages including internal piping and electric cabling
- Low refrigerant charge
- Refrigerant R-134a
- Motorstarter of direct- or star-delta type
- Meet environmental class requirement
- Options for 690V



Heating



Ventilation

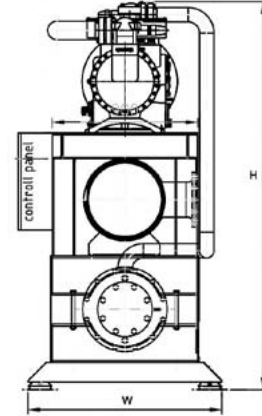
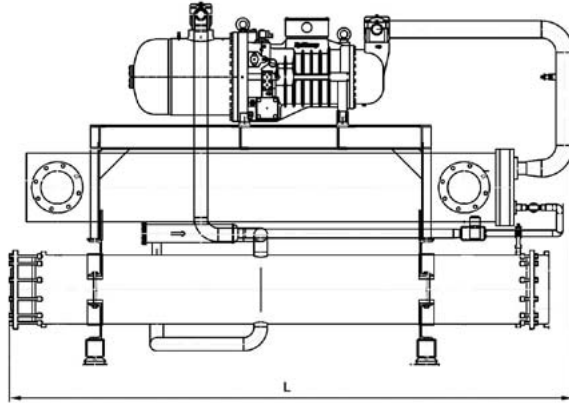


Air Conditioning



Refrigeration

## Single compressor



## Single compressor models

Model	Nr. Compr.	UNIT CAPACITY	Overall dimension (mm)		
		kW	Length	Height	Width
MWC-C-180-S-E	1	180	3610	1610	1400
MWC-C-210-S-E	1	210	3680	1610	1400
MWC-C-230-S-E	1	230	3680	1610	1400
MWC-C-260-S-E	1	260	3680	1610	1400
MWC-C-330-S-E	1	330	3700	1670	1400
MWC-C-380-S-E	1	380	3700	1770	1400
MWC-C-440-S-E	1	440	3700	1770	1400
MWC-C-500-S-E	1	500	3730	1870	1600
MWC-C-570-S-E	1	570	3730	1900	1610
MWC-C-640-S-E	1	640	3730	1900	1610
MWC-C-690-S-E	1	690	3730	1900	1610

Dimensions if for guidelines only.

Design data : 3 x 440V-60Hz

The capacity is based at FW 38°C and chilled water 6-12°C