

DESCRIPTION

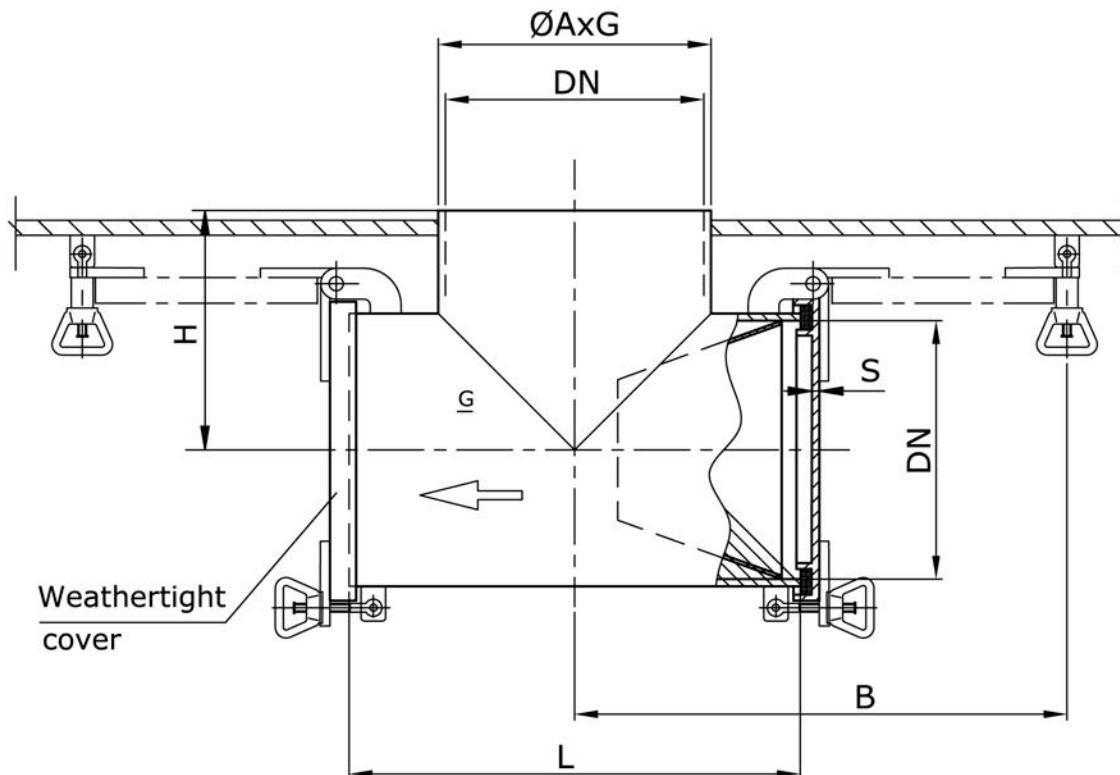
Bulkhead ejector vents EO are destined for installation in natural ventilation systems of seagoing ships and offshore objects. They shall be fitted in vertical steel or aluminum bulkheads with ejector axis always in horizontal position. Pipes are made of steel or aluminum and fitted with brass swing nuts. Bolts and pins are made of stainless steel, gasket – rubber profile. Surface treatment: painted with epoxy marine paint SWA 7423-014-250 (hot dip galvanized on request). Ejector vents made of aluminum are without any surface treatment. Set of swing nuts for fixing of covers in opened position is included.

TECHNICAL SPECIFICATION & DIMENSIONS
Execution:

Z – with weather-tight cover

N – without closing device

| Dimensions [mm] | | | | | | Weight [kg] | | | |
|-----------------|-------|-----|-----|-----|-----|-------------|-----|---------|------|
| | | | | | | Exec. N | | Exec. Z | |
| DN | ØAxG | H | L | S | B | Al | St | Al | St |
| 100 | 100x5 | 140 | 210 | 210 | 150 | 1.4 | 3.6 | 1.8 | 4.2 |
| 125 | 135x5 | 155 | 240 | 240 | 175 | 2.2 | 5.3 | 2.7 | 6.5 |
| 160 | 170x5 | 170 | 270 | 270 | 210 | 3.5 | 8.4 | 4.3 | 10.3 |


MARKING

Example: EO type ejector of nom. diameter DN=125mm, of execution Z, made of steel: EO 125-Z-St