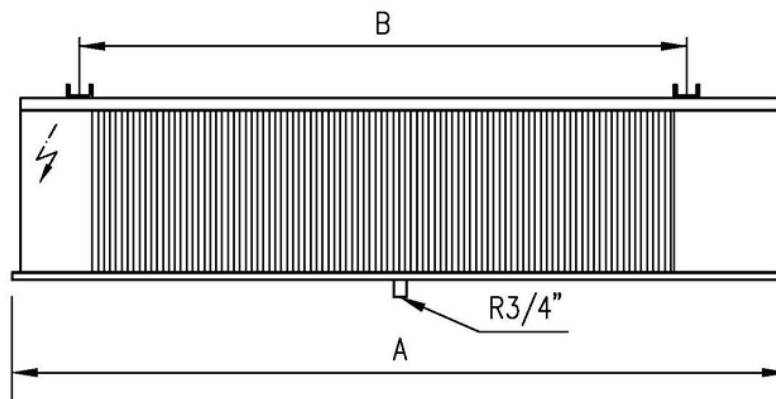
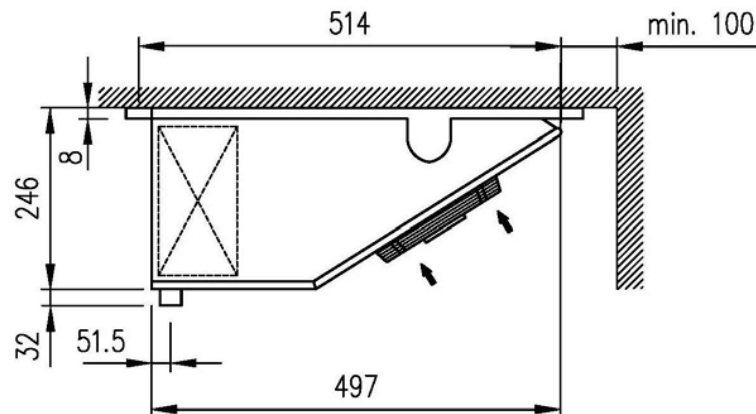


DESCRIPTION

Ceiling type air cooler DLK is equipped with heat exchanger with small interior volume, energy saving fans with second speed step (fans are wired to terminal box). The heat exchanger can be designed for water or brine operation. Coil block of the unit has got protection against corrosion. Wall version, with additional drain pan, is also available. The DLK unit works in temperature range: 0°C to 40°C.

TECHNICAL SPECIFICATION & DIMENSIONS

Model	Dimensions [mm]		Tube volume [dm ³]	Weight [kg]
	A	B		
401	660	420	0.9	11
411	660	420	1.2	12
421	860	620	1.3	13
431	860	620	1.9	14
412	1062	822	2.4	20
432	1462	1222	3.4	25
413	1462	1223	3.6	28
433	2063	1823	5.8	36
414	1865	1625	4.8	36
434	2665	2426	7.7	47



All below data is based upon measurements with R404A and fans operating 50/60Hz supply at high fans speed.

DLK 401

Input capacity [kW]	Evap. temp. [oC]	Temp. in room [oC]	ΔT [K]	Surface [m ²]	Air throw [m]	Air flow [m ³ /h]	Sound power [dB(A)]	Fin spacing [mm]	Connections	
									Inlet \varnothing [mm]	Outlet \varnothing [mm]
0.93	-6	2	8	4.3	6	780	67	4	12	12
0.95	-4	4	8	4.3	6	780	67	4	12	12
1.00	0	8	8	4.3	6	780	67	4	12	12
1.49	5	15	10	4.3	6	780	67	4	12	12

DLK 411

Input capacity [kW]	Evap. temp. [oC]	Temp. in room [oC]	ΔT [K]	Surface [m ²]	Air throw [m]	Air flow [m ³ /h]	Sound power [dB(A)]	Fin spacing [mm]	Connections	
									Inlet \varnothing [mm]	Outlet \varnothing [mm]
1.17	-6	2	8	5.7	5	740	67	4	12	12
1.20	-4	4	8	5.7	5	740	67	4	12	12
1.25	0	8	8	5.7	5	740	67	4	12	12
1.83	5	15	10	5.7	5	740	67	4	12	12

DLK 421

Input capacity [kW]	Evap. temp. [oC]	Temp. in room [oC]	ΔT [K]	Surface [m ²]	Air throw [m]	Air flow [m ³ /h]	Sound power [dB(A)]	Fin spacing [mm]	Connections	
									Inlet \varnothing [mm]	Outlet \varnothing [mm]
1.35	-6	2	8	6.4	7	890	67	4	12	12
1.38	-4	4	8	6.4	7	890	67	4	12	12
1.44	0	8	8	6.4	7	890	67	4	12	12
2.07	5	15	10	6.4	7	890	67	4	12	12

DLK 431

Input capacity [kW]	Evap. temp. [oC]	Temp. in room [oC]	ΔT [K]	Surface [m ²]	Air throw [m]	Air flow [m ³ /h]	Sound power [dB(A)]	Fin spacing [mm]	Connections	
									Inlet \varnothing [mm]	Outlet \varnothing [mm]
1.66	-6	2	8	8.5	6	850	67	4	12	12
1.70	-4	4	8	8.5	6	850	67	4	12	12
1.78	0	8	8	8.5	6	850	67	4	12	12
2.53	5	15	10	8.5	6	850	67	4	12	12

DLK 412

Input capacity [kW]	Evap. temp. [oC]	Temp. in room [oC]	ΔT [K]	Surface [m ²]	Air throw [m]	Air flow [m ³ /h]	Sound power [dB(A)]	Fin spacing [mm]	Connections	
									Inlet \varnothing [mm]	Outlet \varnothing [mm]
2.35	-6	2	8	11.3	7	1480	70	4	12*	18
2.40	-4	4	8	11.3	7	1480	70	4	12*	18
2.51	0	8	8	11.3	7	1480	70	4	12*	18
3.54	5	15	10	11.3	7	1480	70	4	12*	18

*Multiple injection.

DLK 432

Input capacity [kW]	Evap. temp. [oC]	Temp. in room [oC]	ΔT [K]	Surface [m ²]	Air throw [m]	Air flow [m ³ /h]	Sound power [dB(A)]	Fin spacing [mm]	Connections	
									Inlet \varnothing [mm]	Outlet \varnothing [mm]
3.35	-6	2	8	17.0	8	1700	70	4	12*	18
3.43	-4	4	8	17.0	8	1700	70	4	12*	18
3.59	0	8	8	17.0	8	1700	70	4	12*	18
5.10	5	15	10	17.0	8	1700	70	4	12*	18

*Multiple injection.

DLK 413

Input capacity [kW]	Evap. temp. [oC]	Temp. in room [oC]	ΔT [K]	Surface [m ²]	Air throw [m]	Air flow [m ³ /h]	Sound power [dB(A)]	Fin spacing [mm]	Connections	
									Inlet \varnothing [mm]	Outlet \varnothing [mm]
3.98	-6	2	8	17.0	9	2220	72	4	12*	18
4.08	-4	4	8	17.0	9	2220	72	4	12*	18
4.28	0	8	8	17.0	9	2220	72	4	12*	18
6.10	5	15	10	17.0	9	2220	72	4	12*	18

*Multiple injection.

DLK 433

Input capacity [kW]	Evap. temp. [oC]	Temp. in room [oC]	ΔT [K]	Surface [m ²]	Air throw [m]	Air flow [m ³ /h]	Sound power [dB(A)]	Fin spacing [mm]	Connections	
									Inlet \varnothing [mm]	Outlet \varnothing [mm]
5.02	-6	2	8	25.5	10	2550	72	4	12*	22
5.14	-4	4	8	25.5	10	2550	72	4	12*	22
5.38	0	8	8	25.5	10	2550	72	4	12*	22
7.67	5	15	10	25.5	10	2550	72	4	12*	22

*Multiple injection.

DLK 414

Input capacity [kW]	Evap. temp. [oC]	Temp. in room [oC]	ΔT [K]	Surface [m ²]	Air throw [m]	Air flow [m ³ /h]	Sound power [dB(A)]	Fin spacing [mm]	Connections	
									Inlet \varnothing [mm]	Outlet \varnothing [mm]
5.29	-6	2	8	22.7	11	2960	73	4	12*	22
5.41	-4	4	8	22.7	11	2960	73	4	12*	22
5.66	0	8	8	22.7	11	2960	73	4	12*	22
8.07	5	15	10	22.7	11	2960	73	4	12*	22

*Multiple injection.

DLK 434

Input capacity [kW]	Evap. temp. [oC]	Temp. in room [oC]	ΔT [K]	Surface [m ²]	Air throw [m]	Air flow [m ³ /h]	Sound power [dB(A)]	Fin spacing [mm]	Connections	
									Inlet \varnothing [mm]	Outlet \varnothing [mm]
6.75	-6	2	8	34.0	12	3400	73	4	12*	22
6.90	-4	4	8	34.0	12	3400	73	4	12*	22
7.23	0	8	8	34.0	12	3400	73	4	12*	22
10.26	5	15	10	34.0	12	3400	73	4	12*	22

*Multiple injection.