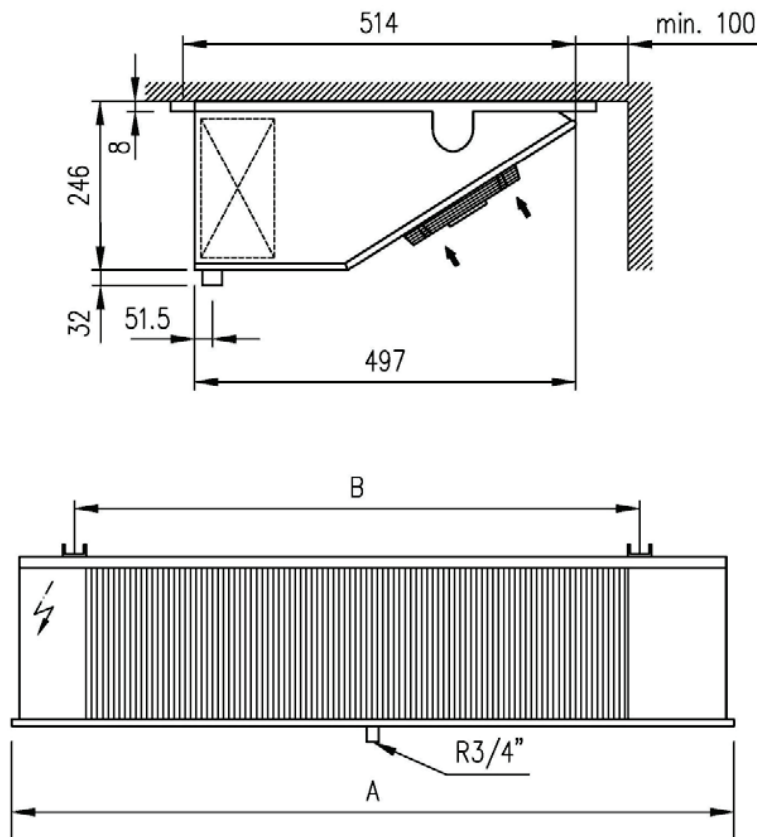


DESCRIPTION

Ceiling type air cooler DLKT is equipped with heat exchanger with small interior volume, energy saving fans with second speed step (fans are wired to terminal box). The heat exchanger can be designed for water or brine operation. Coil block of the unit has got protection against corrosion. Housing of the unit is made of stainless steel. Preparation for hot gas defrosting involves heating coil at bottom sheet and tee at the entry of the evaporator. The DLKT unit works in temperature range: -35°C to 40°C. This unit is equipped with electric defrost.

TECHNICAL SPECIFICATION & DIMENSIONS

Model	Dimensions [mm]		Tube volume [dm ³]	Weight [kg]
	A	B		
601	660	420	0.9	11
611	660	420	1.2	12
621	860	620	1.3	13
631	860	620	1.9	14
612	1062	822	2.4	20
632	1462	1222	3.4	25
613	1462	1223	3.6	28
633	2063	1823	5.8	36
614	1865	1625	4.8	36
634	2665	2426	7.7	47



All below data is based upon measurements with R404A and fans operating 50/60Hz supply at high fans speed.

DLKT 601

Input capacity [kW]	Evap. temp. [°C]	Temp. in room [°C]	ΔT [K]	Surface [m ²]	Air throw [m]	Air flow [m ³ /h]	Sound power [dB(A)]	Fin spacing [mm]	Connections	
									Inlet \varnothing [mm]	Outlet \varnothing [mm]
0.53	-28	-20	8	2.9	6	820	67	6	12	12
0.55	-26	-18	8	2.9	6	820	67	6	12	12
0.60	-20	-12	8	2.9	6	820	67	6	12	12
0.74	-6	2	8	2.9	6	820	67	6	12	12
0.76	-4	4	8	2.9	6	820	67	6	12	12
0.80	0	8	8	2.9	6	820	67	6	12	12
1.20	5	15	10	2.9	6	820	67	6	12	12

DLKT 611

Input capacity [kW]	Evap. temp. [°C]	Temp. in room [°C]	ΔT [K]	Surface [m ²]	Air throw [m]	Air flow [m ³ /h]	Sound power [dB(A)]	Fin spacing [mm]	Connections	
									Inlet \varnothing [mm]	Outlet \varnothing [mm]
0.75	-28	-20	8	3.9	5	780	67	6	12	12
0.77	-26	-18	8	3.9	5	780	67	6	12	12
0.82	-20	-12	8	3.9	5	780	67	6	12	12
0.95	-6	2	8	3.9	5	780	67	6	12	12
0.97	-4	4	8	3.9	5	780	67	6	12	12
1.02	0	8	8	3.9	5	780	67	6	12	12
1.48	5	15	10	3.9	5	780	67	6	12	12

DLKT 621

Input capacity [kW]	Evap. temp. [°C]	Temp. in room [°C]	ΔT [K]	Surface [m ²]	Air throw [m]	Air flow [m ³ /h]	Sound power [dB(A)]	Fin spacing [mm]	Connections	
									Inlet \varnothing [mm]	Outlet \varnothing [mm]
0.84	-28	-20	8	4.4	7	940	67	6	12	12
0.85	-26	-18	8	4.4	7	940	67	6	12	12
0.91	-20	-12	8	4.4	7	940	67	6	12	12
1.05	-6	2	8	4.4	7	940	67	6	12	12
1.07	-4	4	8	4.4	7	940	67	6	12	12
1.12	0	8	8	4.4	7	940	67	6	12	12
1.63	5	15	10	4.4	7	940	67	6	12	12

DLKT 631

Input capacity [kW]	Evap. temp. [°C]	Temp. in room [°C]	ΔT [K]	Surface [m ²]	Air throw [m]	Air flow [m ³ /h]	Sound power [dB(A)]	Fin spacing [mm]	Connections	
									Inlet \varnothing [mm]	Outlet \varnothing [mm]
1.08	-28	-20	8	5.9	6	910	67	6	12	12
1.11	-26	-18	8	5.9	6	910	67	6	12	12
1.19	-20	-12	8	5.9	6	910	67	6	12	12
1.39	-6	2	8	5.9	6	910	67	6	12	12
1.43	-4	4	8	5.9	6	910	67	6	12	12
1.49	0	8	8	5.9	6	910	67	6	12	12
2.12	5	15	10	5.9	6	910	67	6	12	12

DLKT 612

Input capacity [kW]	Evap. temp. [oC]	Temp. in room [oC]	ΔT [K]	Surface [m ²]	Air throw [m]	Air flow [m ³ /h]	Sound power [dB(A)]	Fin spacing [mm]	Connections	
									Inlet \varnothing [mm]	Outlet \varnothing [mm]
1.52	-28	-20	8	7.8	7	1560	70	6	12*	18
1.55	-26	-18	8	7.8	7	1560	70	6	12*	18
1.65	-20	-12	8	7.8	7	1560	70	6	12*	18
1.92	-6	2	8	7.8	7	1560	70	6	12*	18
1.96	-4	4	8	7.8	7	1560	70	6	12*	18
2.04	0	8	8	7.8	7	1560	70	6	12*	18
2.16	5	15	10	7.8	7	1560	70	6	12*	18

*Multiple injection.

DLKT 632

Input capacity [kW]	Evap. temp. [oC]	Temp. in room [oC]	ΔT [K]	Surface [m ²]	Air throw [m]	Air flow [m ³ /h]	Sound power [dB(A)]	Fin spacing [mm]	Connections	
									Inlet \varnothing [mm]	Outlet \varnothing [mm]
1.52	-28	-20	8	11.7	8	1820	70	6	12*	18
1.55	-26	-18	8	11.7	8	1820	70	6	12*	18
1.65	-20	-12	8	11.7	8	1820	70	6	12*	18
1.92	-6	2	8	11.7	8	1820	70	6	12*	18
1.96	-4	4	8	11.7	8	1820	70	6	12*	18
2.04	0	8	8	11.7	8	1820	70	6	12*	18
2.16	5	15	10	11.7	8	1820	70	6	12*	18

*Multiple injection.

DLKT 613

Input capacity [kW]	Evap. temp. [oC]	Temp. in room [oC]	ΔT [K]	Surface [m ²]	Air throw [m]	Air flow [m ³ /h]	Sound power [dB(A)]	Fin spacing [mm]	Connections	
									Inlet \varnothing [mm]	Outlet \varnothing [mm]
2.55	-28	-20	8	11.7	9	2340	72	6	12*	18
2.31	-26	-18	8	11.7	9	2340	72	6	12*	18
2.81	-20	-12	8	11.7	9	2340	72	6	12*	18
3.32	-6	2	8	11.7	9	2340	72	6	12*	18
3.39	-4	4	8	11.7	9	2340	72	6	12*	18
3.55	0	8	8	11.7	9	2340	72	6	12*	18
5.05	5	15	10	11.7	9	2340	72	6	12*	18

*Multiple injection.

DLKT 633

Input capacity [kW]	Evap. temp. [oC]	Temp. in room [oC]	ΔT [K]	Surface [m ²]	Air throw [m]	Air flow [m ³ /h]	Sound power [dB(A)]	Fin spacing [mm]	Connections	
									Inlet \varnothing [mm]	Outlet \varnothing [mm]
3.20	-28	-20	8	17.6	10	2730	72	6	12*	22
3.28	-26	-18	8	17.6	10	2730	72	6	12*	22
3.51	-20	-12	8	17.6	10	2730	72	6	12*	22
4.10	-6	2	8	17.6	10	2730	72	6	12*	22
4.19	-4	4	8	17.6	10	2730	72	6	12*	22
4.39	0	8	8	17.6	10	2730	72	6	12*	22
6.26	5	15	10	17.6	10	2730	72	6	12*	22

*Multiple injection.

DLKT 614

Input capacity [kW]	Evap. temp. [oC]	Temp. in room [oC]	ΔT [K]	Surface [m ²]	Air throw [m]	Air flow [m ³ /h]	Sound power [dB(A)]	Fin spacing [mm]	Connections	
									Inlet \varnothing [mm]	Outlet \varnothing [mm]
3.37	-28	-20	8	15.6	11	3120	73	6	12*	22
3.45	-26	-18	8	15.6	11	3120	73	6	12*	22
3.69	-20	-12	8	15.6	11	3120	73	6	12*	22
4.32	-6	2	8	15.6	11	3120	73	6	12*	22
4.42	-4	4	8	15.6	11	3120	73	6	12*	22
4.62	0	8	8	15.6	11	3120	73	6	12*	22
6.59	5	15	10	15.6	11	3120	73	6	12*	22

*Multiple injection.

DLKT 634

Input capacity [kW]	Evap. temp. [oC]	Temp. in room [oC]	ΔT [K]	Surface [m ²]	Air throw [m]	Air flow [m ³ /h]	Sound power [dB(A)]	Fin spacing [mm]	Connections	
									Inlet \varnothing [mm]	Outlet \varnothing [mm]
4.41	-28	-20	8	23.4	12	3640	73	6	12*	22
4.51	-26	-18	8	23.4	12	3640	73	6	12*	22
4.83	-20	-12	8	23.4	12	3640	73	6	12*	22
5.65	-6	2	8	23.4	12	3640	73	6	12*	22
5.78	-4	4	8	23.4	12	3640	73	6	12*	22
6.04	0	8	8	23.4	12	3640	73	6	12*	22
8.57	5	15	10	23.4	12	3640	73	6	12*	22

*Multiple injection.