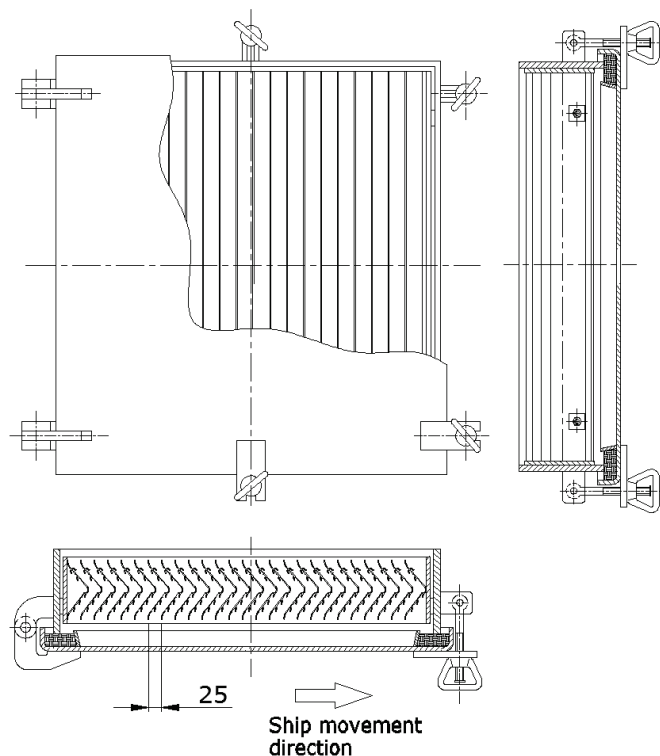


DESCRIPTION

Marine ventilation louvers with droplets eliminators and weather-tight covers are destined for installation on steel or aluminum walls of superstructures on seagoing ships as air supply units of ventilation systems. Construction is based on standard DIN 83409 with significant extending of size range. Louvers are provided with detachable blade frame that makes easy installation as well as access for maintenance. Frame consists of specially shaped, vertical, high-efficiency droplet separating profiles.

**TECHNICAL SPECIFICATION**

- Steel louvers made of carbon steel St3St, with brass swing nuts, all bolts and pins of stainless steel. Droplet separating profiles – stainless steel.
- Aluminum louvers of alloy PA2, nuts, bolts and pins as above. Droplet separating profiles – stainless steel.
- Surface treatment: steel louvers frame and cover painted with marine epoxy paint SWA 7423-013-250, blade frame hot-dip galvanized. Aluminum louvers do not require any preservation.

Types:

A – square louver

B – rectangular louver, hinges on longer side

C – rectangular louver, hinges on shorter side

Sizes:

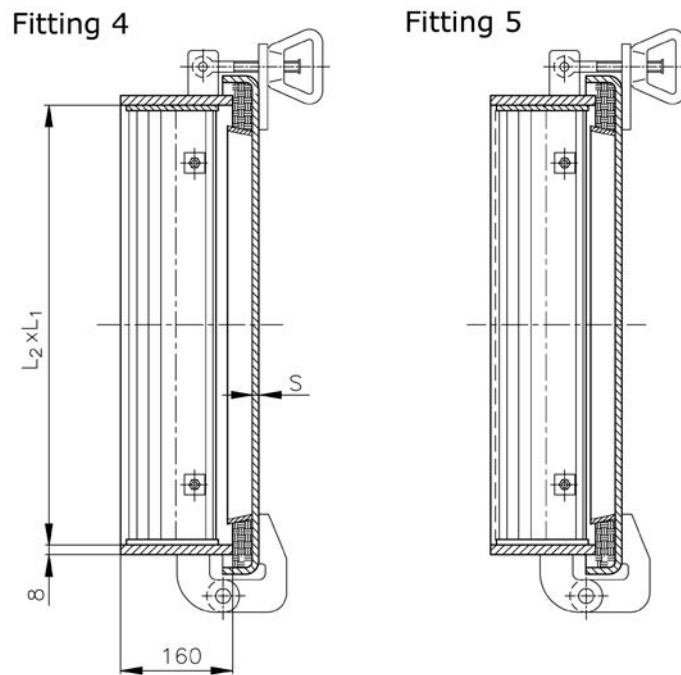
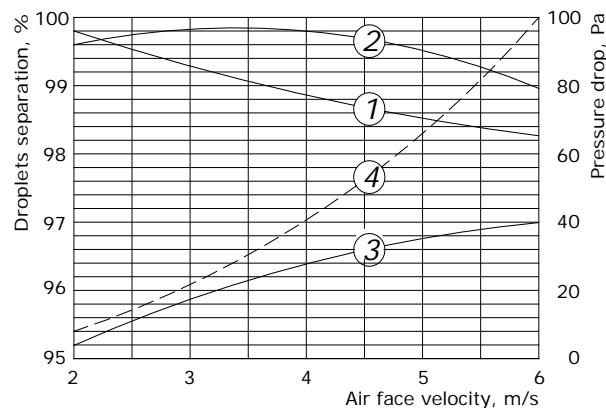
$L_1 \times L_2$ – dimension L_1 always is the length of side, on which cover hinges are fitted

Execution:

- D – upwards opened cover
- E – downwards opened cover
- F – cover opened to the left
- G – cover opened to the right

Fittings:

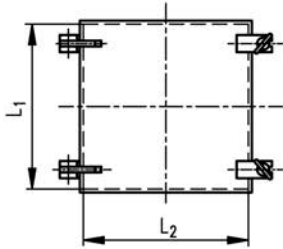
- 4 – louver with blade frame, without wire gauze
- 5 – louver with blade frame and wire gauze of 10mm mesh


PERFORMANCE CHART


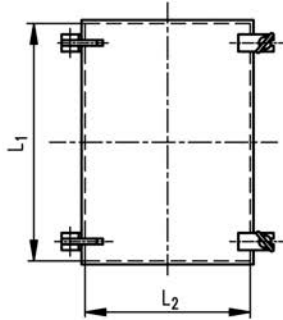
- ① - rain, droplets 100 um, 10 litres/min/m²
- ② - rain, droplets 100 um, 25 litres/min/m²
- ③ - fog, droplets 30 um
- ④ - pressure drop, Pa

ARRAGMENT OF HINGES AND SWING UNITS

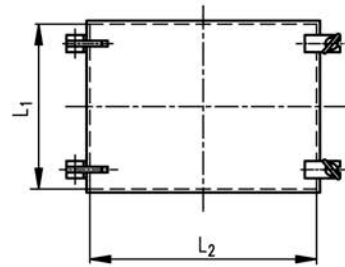
Type A 250x250 to 500x500



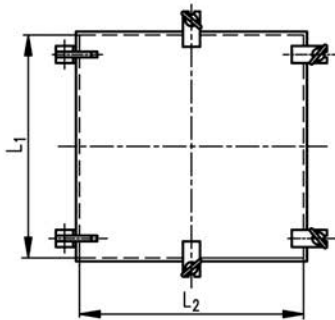
Type B 250x200 to 900x500



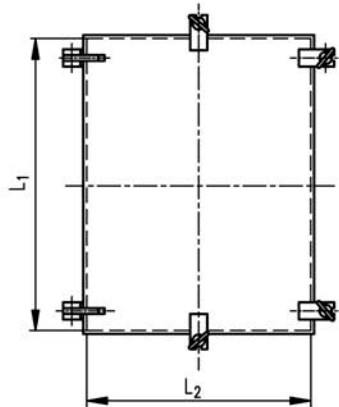
Type C 200x250 to 400x500



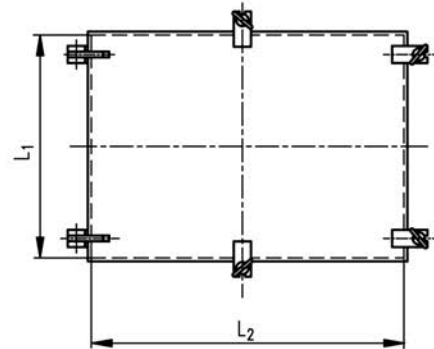
Type A 600x600 to 750x750



Type B 1000x600 to 1200x750

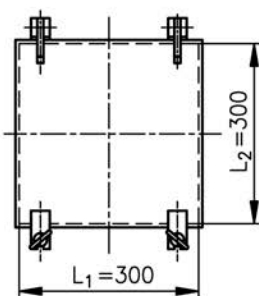


Type C 400x600 to 500x900

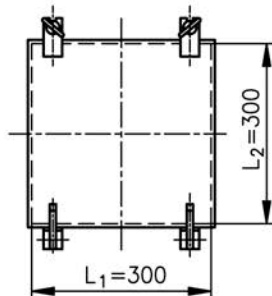

EXAMPLES OF MAKING

TYPE A - Square louvers

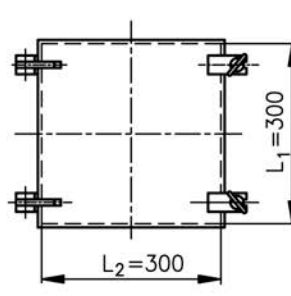
A-300x300-D



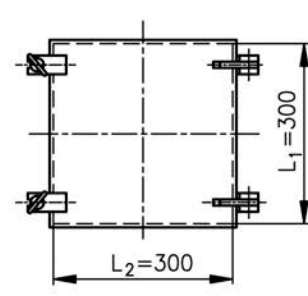
A-300x300-E

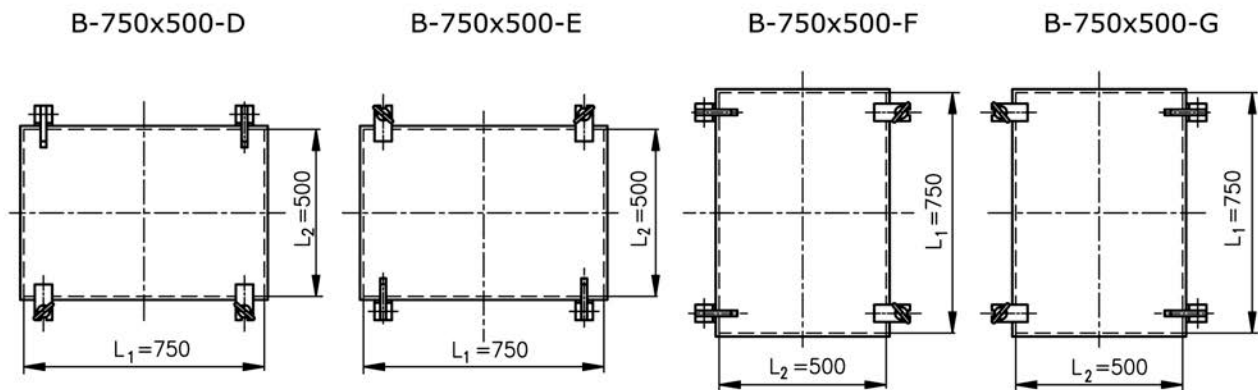
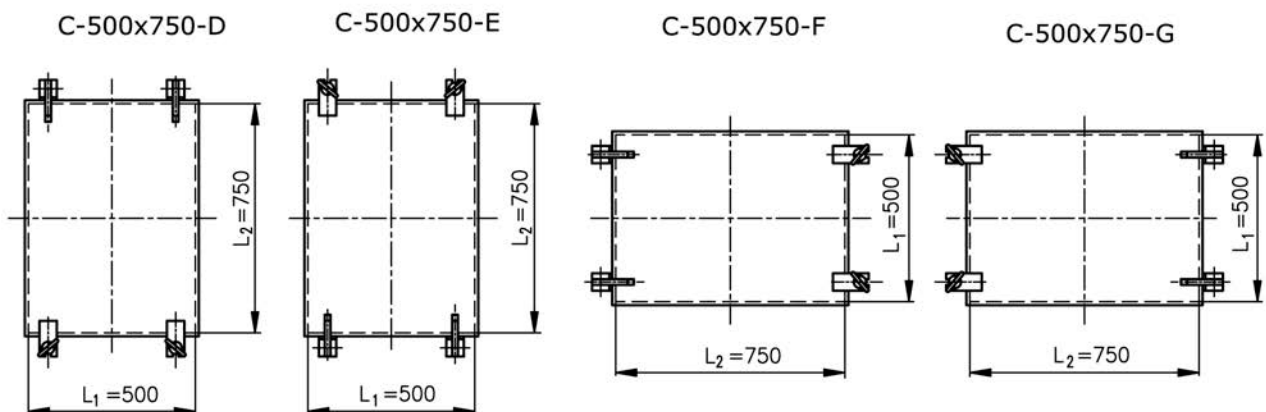


A-300x300-F



A-300x300-G



TYPE B - Rectangular louvers
Hinges on longer side

TYPE C - Rectangular louvers
Hinges on shorter side


Material (steel or aluminum) should be defined in order. Louvers are delivered with swing-out nut for fixing of weather-tight cover in open position. Louvers can be also delivered with non-standard dimensions on request.

MARKING

Example: B type louver, of size $L_1 \times L_2 = 900 \times 500$, execution F, fittings 4, made of steel: DROPLET ELIMINATOR LOUVER B-900x500-F-4-St



Type	Size L1 x L2	Execut.	S	No. of swing nuts	Weight of steel louver, kg		Weight of alu- minium louver, kg		Effective area m ²	
					Fitting		Fitting		Fitting	
	mm		4		5	4	5	4	5	
A	250x250	D,E, F,G	5	2	21,0	23,8	9,3	10,0	0,026	0,041
	300x300				25,6	28,2	11,4	12,2	0,048	0,038
	400x400		6		37,9	36,9	15,8	17,4	0,085	0,068
	500x500				51,4	59,4	24,2	26,2	0,132	0,106
	600x600		7		70,9	70,9	77,2	31,7	0,191	0,153
	750x750		8		92,4	100,2	41,3	44,4	0,298	0,238
B	250x200	D,E	5	2	18,9	20,7	8,4	9,1	0,026	0,020
	300x200				21,0	22,9	9,2	9,9	0,032	0,026
	400x200				25,9	27,3	10,9	11,9	0,042	0,033
	500x200		6		29,4	31,5	12,7	13,7	0,053	0,042
	400x300				5	30,7	33,5	13,4	14,6	0,064
	500x300		6		35,9	38,8	15,7	16,9	0,079	0,063
	500x400	42,0			45,8	18,3	20,1	0,106	0,086	
	600x400	D,E, F,G	7		53,9	58,3	23,9	25,8	0,127	0,106
	750x400				64,4	69,2	28,6	30,6	0,159	0,127
	600x500		62,4		67,5	27,8	30,2	0,159	0,127	
	750x500		74,6		80,4	33,2	35,7	0,198	0,158	
	900x500	8	4		86,7	93,0	38,7	41,3	0,238	0,190
	1000x600				110,4	118,4	49,3	52,6	0,318	0,254
	1000x750				130,2	139,8	58,3	70,2	0,397	0,318
1200x750	188,0			198,9	85,7	90,4	0,470	0,376		
C	200x250	F,G	5	2	18,7	20,6	8,2	8,9	0,026	0,020
	200x300				20,5	22,8	8,9	9,9	0,032	0,026
	200x400		23,9		27,0	10,5	11,8	0,042	0,033	
	200x500		6		27,4	30,9	11,8	13,5	0,053	0,042
	300x400	D,E, F,G	5		29,9	33,4	13,2	14,6	0,064	0,051
	300x500		6		34,5	38,5	15,0	16,8	0,079	0,063
	400x500				41,3	45,8	18,2	20,1	0,106	0,085
	400x600		53,4		58,8	23,7	26,1	0,127	0,106	
	400x750		7		62,9	69,3	27,9	30,8	0,159	0,127
	500x600				62,8	68,4	27,8	30,2	0,159	0,127
	500x750	73,6			80,9	32,9	35,9	0,198	0,158	
	500x900	8	84,8		93,3	38,0	41,5	0,238	0,119	