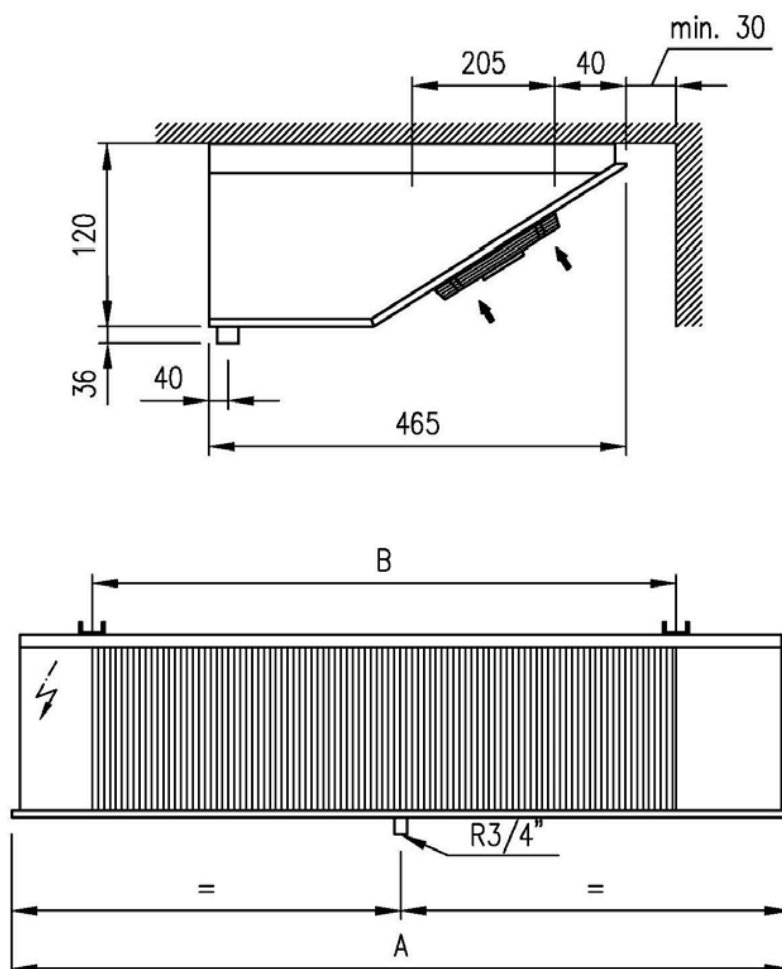


DESCRIPTION

Extreme flat ceiling air cooler FKN is just 120mm height. The unit is equipped with removable coil blocks for mounting (with protection against corrosion). Heat exchanger, for water or brine operation, has got small interior volume. Fans are designed to provide low noise level. What is more, in wall version of the unit drain pan can be installed additional (accessory). The wall air cooler is mounted with brackets. Housing of the unit is made of stainless steel. This unit works for temperature range: 0°C to 40°C.

TECHNICAL SPECIFICATION & DIMENSIONS

Model	Dimensions [mm]		Tube volume [dm ³]	Weight [kg]
	A	B		
411	450	300	0.4	5
412	450	300	0.6	6
423	750	600	0.7	9
424	750	600	1.0	10
436	1050	900	1.4	14



All below data is based upon measurements with R404A and fans operating 50Hz supply.

FKN 411

Input capacity [kW]	Evap. temp. [oC]	Temp. in room [oC]	ΔT [K]	Surface [m ²]	Air throw [m]	Air flow [m ³ /h]	Sound power [dB(A)]	Fin spacing [mm]	Connections	
									Inlet \varnothing [mm]	Outlet \varnothing [mm]
0.28	-6	2	8	1.2	4	215	62	4	10	10
0.29	-4	4	8	1.2	4	215	62	4	10	10
0.30	0	8	8	1.2	4	215	62	4	10	10
0.43	5	15	10	1.2	4	215	62	4	10	10

FKN 412

Input capacity [kW]	Evap. temp. [oC]	Temp. in room [oC]	ΔT [K]	Surface [m ²]	Air throw [m]	Air flow [m ³ /h]	Sound power [dB(A)]	Fin spacing [mm]	Connections	
									Inlet \varnothing [mm]	Outlet \varnothing [mm]
0.41	-6	2	8	1.9	4	195	62	4	10	10
0.42	-4	4	8	1.9	4	195	62	4	10	10
0.44	0	8	8	1.9	4	195	62	4	10	10
0.63	5	15	10	1.9	4	195	62	4	10	10

FKN 423

Input capacity [kW]	Evap. temp. [oC]	Temp. in room [oC]	ΔT [K]	Surface [m ²]	Air throw [m]	Air flow [m ³ /h]	Sound power [dB(A)]	Fin spacing [mm]	Connections	
									Inlet \varnothing [mm]	Outlet \varnothing [mm]
0.60	-6	2	8	2.5	5	430	65	4	10	10
0.61	-4	4	8	2.5	5	430	65	4	10	10
0.64	0	8	8	2.5	5	430	65	4	10	10
0.91	5	15	10	2.5	5	430	65	4	10	10

FKN 424

Input capacity [kW]	Evap. temp. [oC]	Temp. in room [oC]	ΔT [K]	Surface [m ²]	Air throw [m]	Air flow [m ³ /h]	Sound power [dB(A)]	Fin spacing [mm]	Connections	
									Inlet \varnothing [mm]	Outlet \varnothing [mm]
0.88	-6	2	8	3.7	5	390	65	4	10	10
0.89	-4	4	8	3.7	5	390	65	4	10	10
0.93	0	8	8	3.7	5	390	65	4	10	10
1.33	5	15	10	3.7	5	390	65	4	10	10

FKN 436

Input capacity [kW]	Evap. temp. [oC]	Temp. in room [oC]	ΔT [K]	Surface [m ²]	Air throw [m]	Air flow [m ³ /h]	Sound power [dB(A)]	Fin spacing [mm]	Connections	
									Inlet \varnothing [mm]	Outlet \varnothing [mm]
1.28	-6	2	8	5.6	6	585	67	4	12*	15
1.31	-4	4	8	5.6	6	585	67	4	12*	15
1.35	0	8	8	5.6	6	585	67	4	12*	15
1.94	5	15	10	5.6	6	585	67	4	12*	15

*Multiple injection.