

## DESCRIPTION

Marine movable fan heater MFH is destined for heating of spaces on seagoing ships and offshore objects, e.g. storerooms, cargo holds, voids, etc. MFH-10 fan heater consists of:

- marine axial-flow fan with electric drive, type WMOR 250/140-L-N-25,
- tubular electric air heater, type NER-10,
- wire guards on air inlet/outlet,
- overheating thermostat, type MSK80R Trafag,
- control panel with thermal/short-circuit protections for heater and fanmotor,
- 30 m long feeding cable.

Heater's components are fitted on sturdy frame with griff, on wheels.

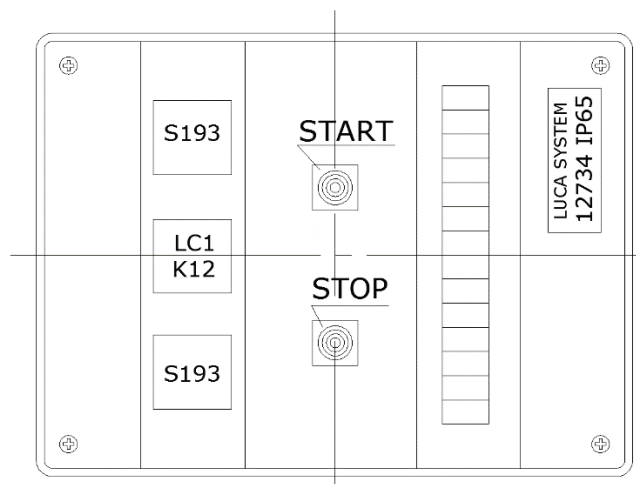
Framing – R35 steel pipe, hot dip galvanised, painted. Housing – carbon steel, hot-dip galvanised. Heating elements – stainless steel 1H18N9T. Fan impeller – aluminium alloy AK7. Wire guards – stainless steel.

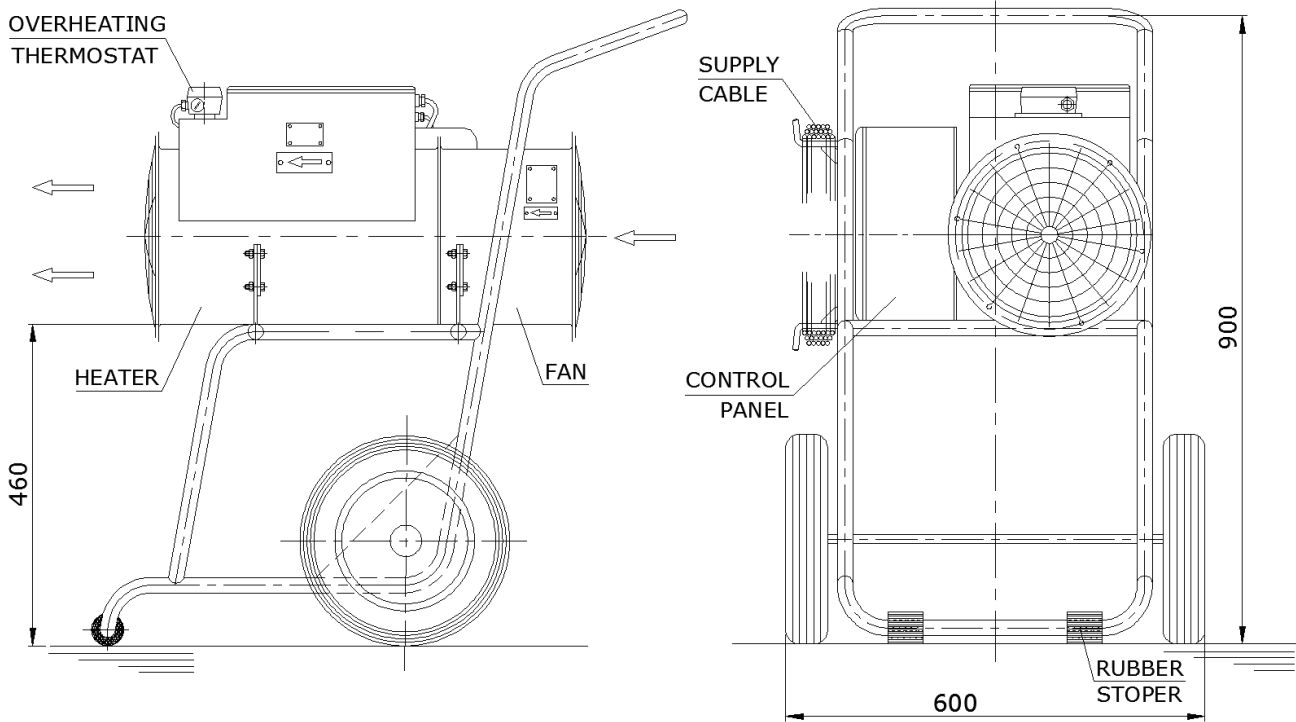
## TECHNICAL SPECIFICATION & DIMENSIONS

Heating capacity	10 kW
Air temperature increase	32 deg. C
Airflow	900 m <sup>3</sup> /h
Fanmotor rated power	0.25 kW
Electric supply	3x230V/50Hz
Enclosure	IP54
Protection class	I (acc. to PN-92/E-05031)
Thermostat setting range	40 deg. C
Thermostat factory setting	10-80 deg. C

Tailor-made movable fan heaters – on request.

### CONTROL PANEL




**ELECTRICAL DIAGRAM**
