

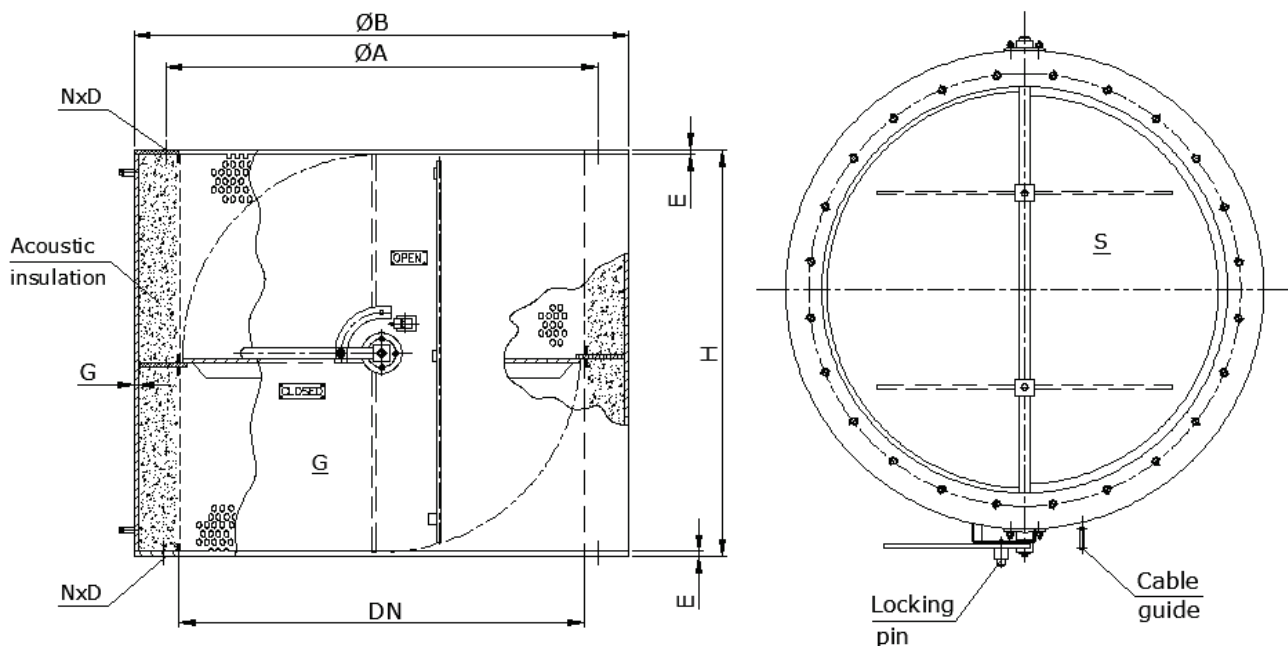
DESCRIPTION

The NDS noise damping fan socket is destined for installation in ventilation systems of seagoing ships and offshore objects. They may be used as fire closure of main ventilation inlets and outlets as per SOLAS regulations, having also a function of attenuation of the fan generated noise. The NDS sockets consist of steel flanged casing and rotary steel flap of thickness corresponding to requirements of regulations. Shaft bearings provided with greasing nipples, maintenance-free bearings on request. Lever for manual control with locking pin with chain. Sockets are lined inside with sound-absorbing mineral wool, covered with perforated, galvanized steel sheet. Sockets may be supplied with the pre-mounted limit switches for remote indication of flap open-closed position. Steel components of sockets are hot-dip galvanized. Painted with set of marine paints on request.

MARKING

Example: NDS fan socket of nominal diameter DN=500: NDS-500

DIMENSIONS





DN	A	B	NxØD	E	G	H	S	Weight, kg
500	560	720	16xM10	12	8	500	6	169
560	640	780	16xM12	12	8	560	6	186
630	695	850	16xM12	12	8	630	7	205
710	775	930	24xM12	12	10	710	7	294
800	865	1020	24xM12	12	10	800	7	390
900	965	1120	32xM12	12	10	900	8	485
1000	1065	1220	32xM12	12	10	1000	8	580
1120	1205	1340	24xM12	12	10	1120	8	710
1250	1335	1470	32xM12	12	10	1250	8	920
1400	1485	1620	24xM12	12	10	1400	8	1190
1600	1685	1820	32xM12	12	10	1600	8	1610

Average values of
noise attenuation:

Octave band Hz	dB
63	1
125	2
250	9
500	12
1000	10
2000	9
4000	7
8000	7