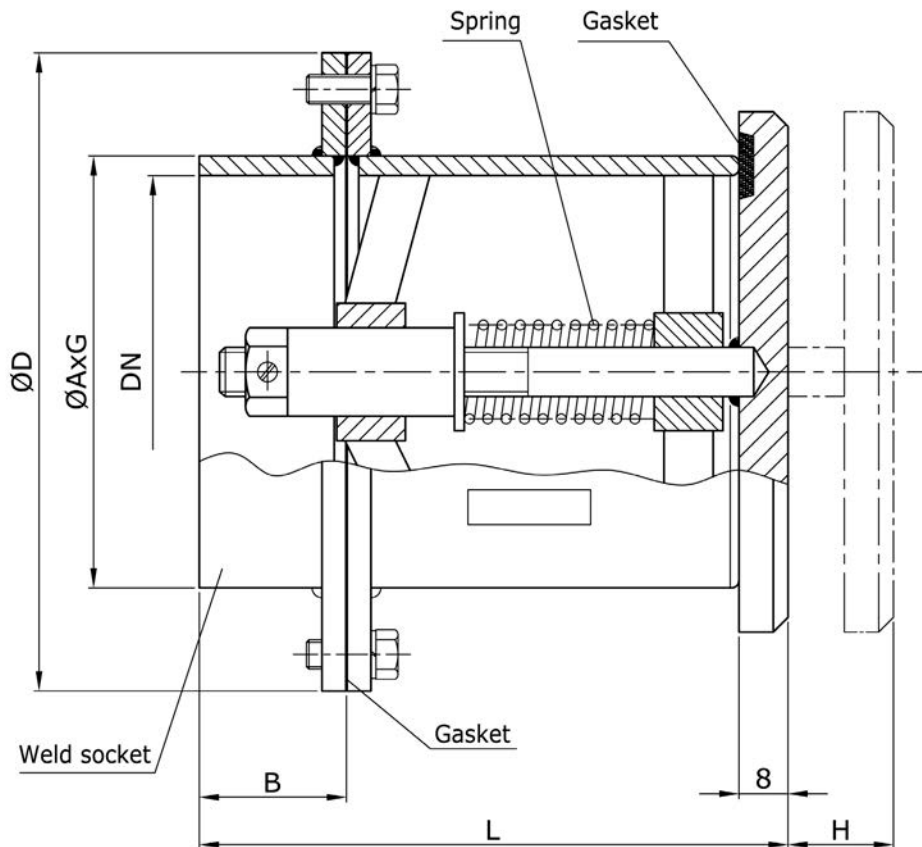


DESCRIPTION

The pressure relief valves GRV are destined for release of air or other gases from the ship's compartments being flooded, in case of fire, with CO₂, inert or other expanding gases. They prevent the compartments' structure against being damaged by excessive pressure when firefighting medium released. Factory set-up of opening pressure of valve is 0.2bar ± 10%. Other adjustments are available on request. The cover of valve kept in closed position by means of spring tightened suitably to required release pressure. In case of excessive pressure inside the valve opens until pressure difference is less than 0.2bar.

TECHNICAL SPECIFICATION & DIMENSIONS

Type	Dimensions [mm]						Weight [kg]
	DN	ØAxG	ØD	B	H _{max}	L	
GRV80	80	88.9x4	130	30	26	128	1.9
GRV100	100	108.0x4	150	40	32	158	2.8
GRV125	125	133.0x4	180	45	40	195	3.8


MARKING

Example: gas relief valve GRV type of nominal diameter DN=100mm: GRV-100