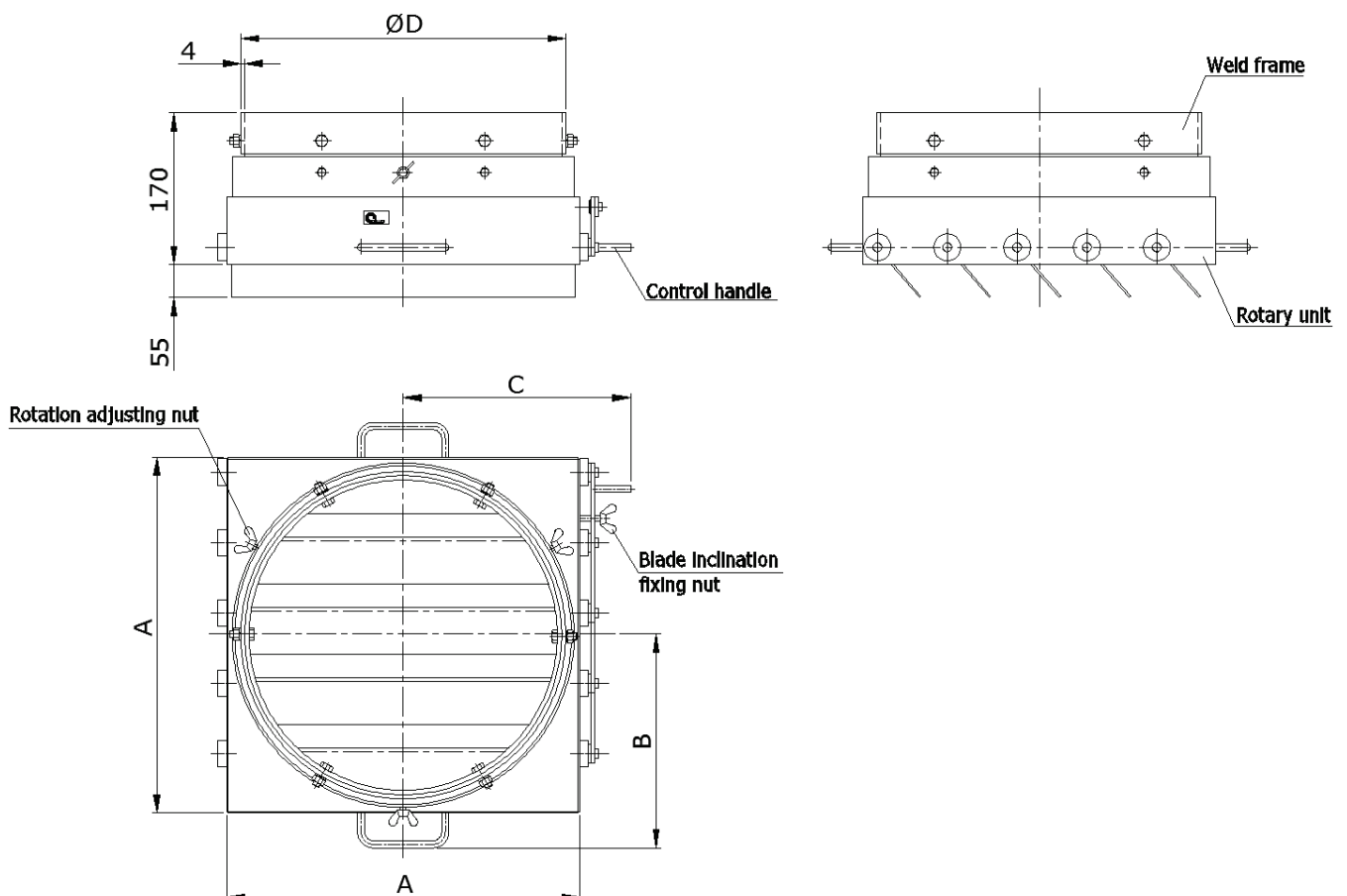


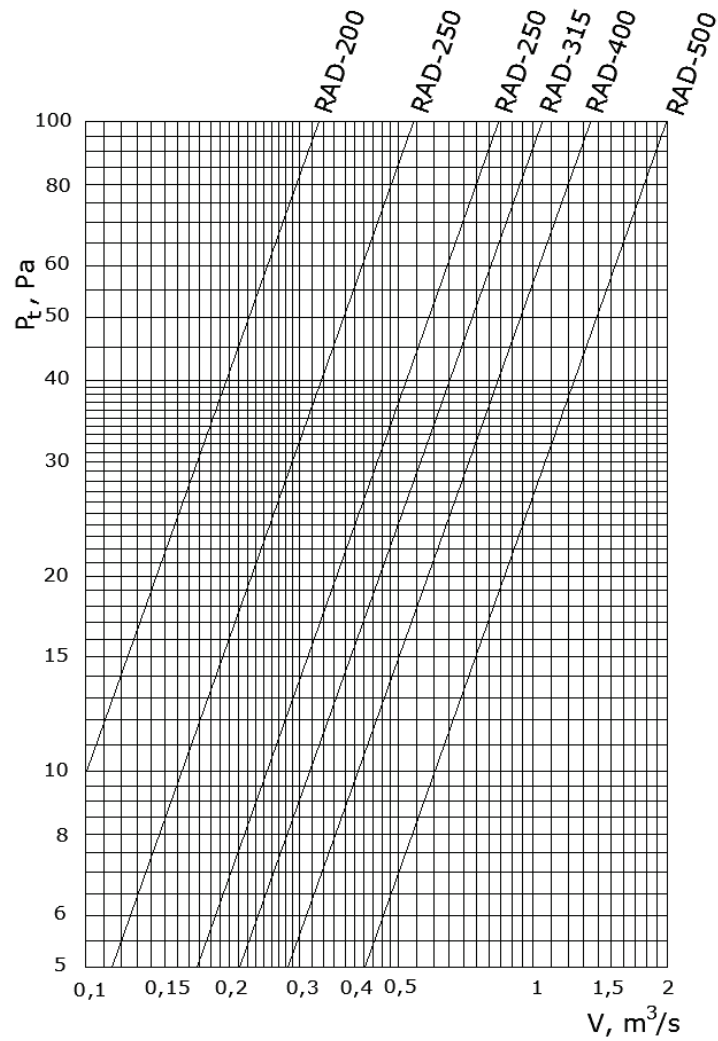
DESCRIPTION

Rotary air diffusers RAD are destined for installation in ventilation systems of seagoing vessels and offshore objects. They are used as air distributors in ventilation systems of machinery and technical spaces and allow individual adjustment of air steam direction. Consist of weld frame and adjustable rotary unit comprising interconnected adjustable deflector blades. Diffuser to be fixed in requested position by fixing nuts. Flanged frame for fitting to galvanized duct available on request. Surface treatment: weld frame painted with epoxy primer SWA 7423-014-250. Otherwise painted. Hot-dip galvanized execution available on request.

TECHNICAL SPECIFICATION & DIMENSIONS

DN	øD	A	B	C	Weight, kg
200	213	244	161	179	7,9
250	263	294	186	204	9,2
315	328	359	220	237	12,8
350	363	394	237	254	14,8
400	413	450	262	280	17,8
500	513	550	320	330	24,2



PERFORMANCE CHART

MARKING

Example: air diffuser RAD of DN=350 mm: RAD-350