

DESCRIPTION

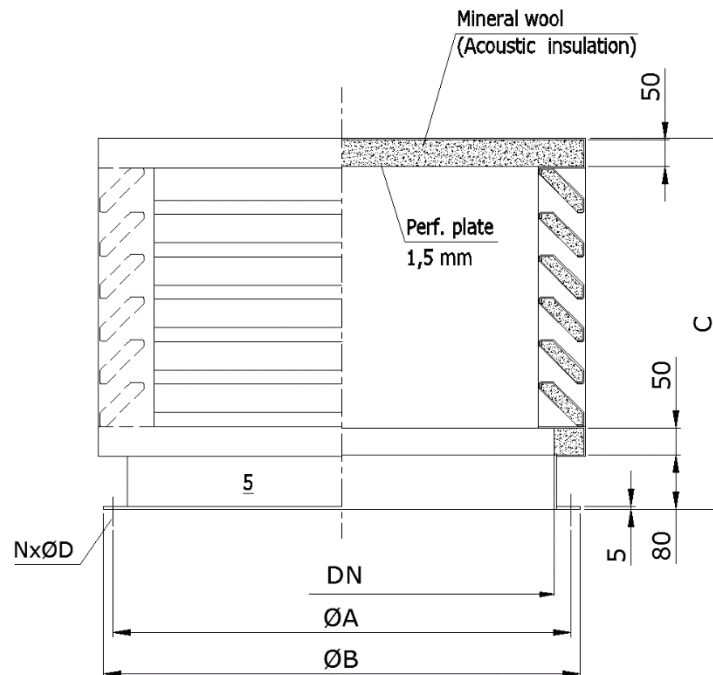
Ventilation cowls EFC are destined for installation in ventilation systems of seagoing ships and offshore objects as air intakes or outlets. EFC cowls are not provided with closing device, relevant SOLAS regulation is to be observed. Casing and blades of EFC cowls are sound insulated with marine mineral wool with vapour barrier secured with perforated steel sheet. Material: stainless steel throughout, unpainted; cowls of galvanized steel sheet available on request.

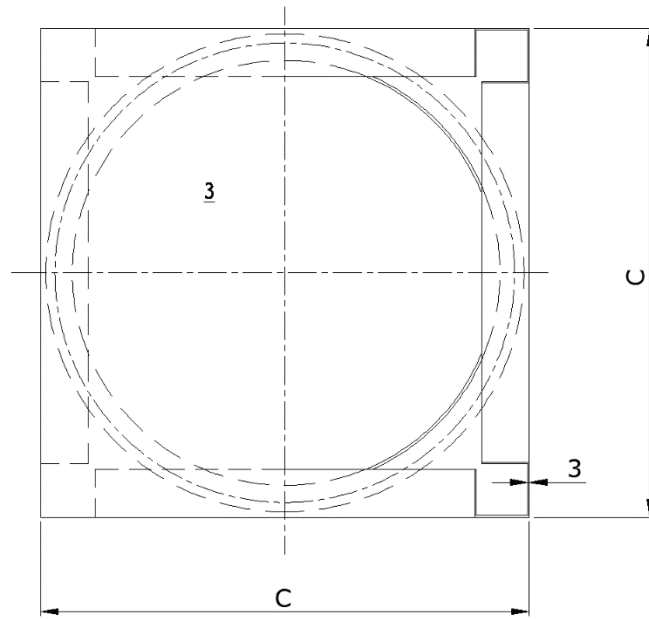
MARKING

Example: EFC ventilation cowls of nominal diameter DN=500 mm: EFC 500

TECHNICAL SPECIFICATION & DIMENSIONS

DN	A	B	C	NxØD	Free area m ²	Weight [kg]
400	460	490	520	12xØ12	0,125	89
500	560	590	620	16xØ12	0,196	124
560	625	660	680	16xØ14	0,246	152
630	695	730	760	16xØ14	0,311	168
710	775	810	830	24xØ14	0,395	227
800	865	900	920	21xØ14	0,501	279
900	965	1000	1020	32xØ14	0,635	343
1000	1065	1100	1120	32xØ14	0,785	413
1120	1205	1250	1240	32xØ14	0,984	507
1250	1335	1380	1270	32xØ14	1,226	563





Average values of sound attenuation:

Octave band, Hz	db
63	4
125	6
250	8
500	11
1000	11
2000	13
4000	17
8000	12