

DESCRIPTION

Ventilation goose neck heads GN are destined for installation in forced and natural ventilation systems and venting of void spaces on seagoing ships as well as on offshore objects. Surface treatment: hot dip galvanized, painted with epoxy marine paint SWA 7423-014-250 on request. Pipe and elbows are made of steel and fitted with brass swing nuts. Bolts and pins are made of stainless steel, gasket – rubber profile.

TECHNICAL SPECIFICATION & DIMENSIONS

Execution:

Z – with weather-tight cover

N – without closing device

Types:

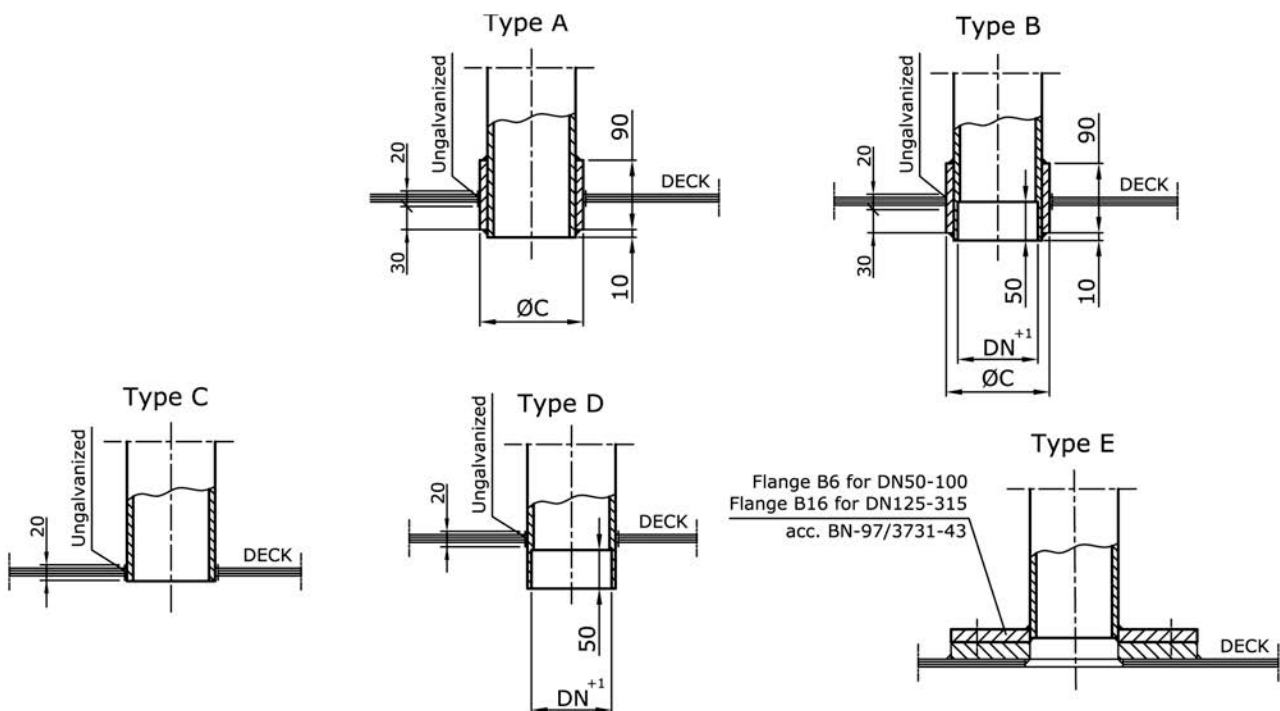
A – with reinforcing sleeve

B – with reinforcing sleeve and with spiral pipe connection

C – without reinforcing sleeve

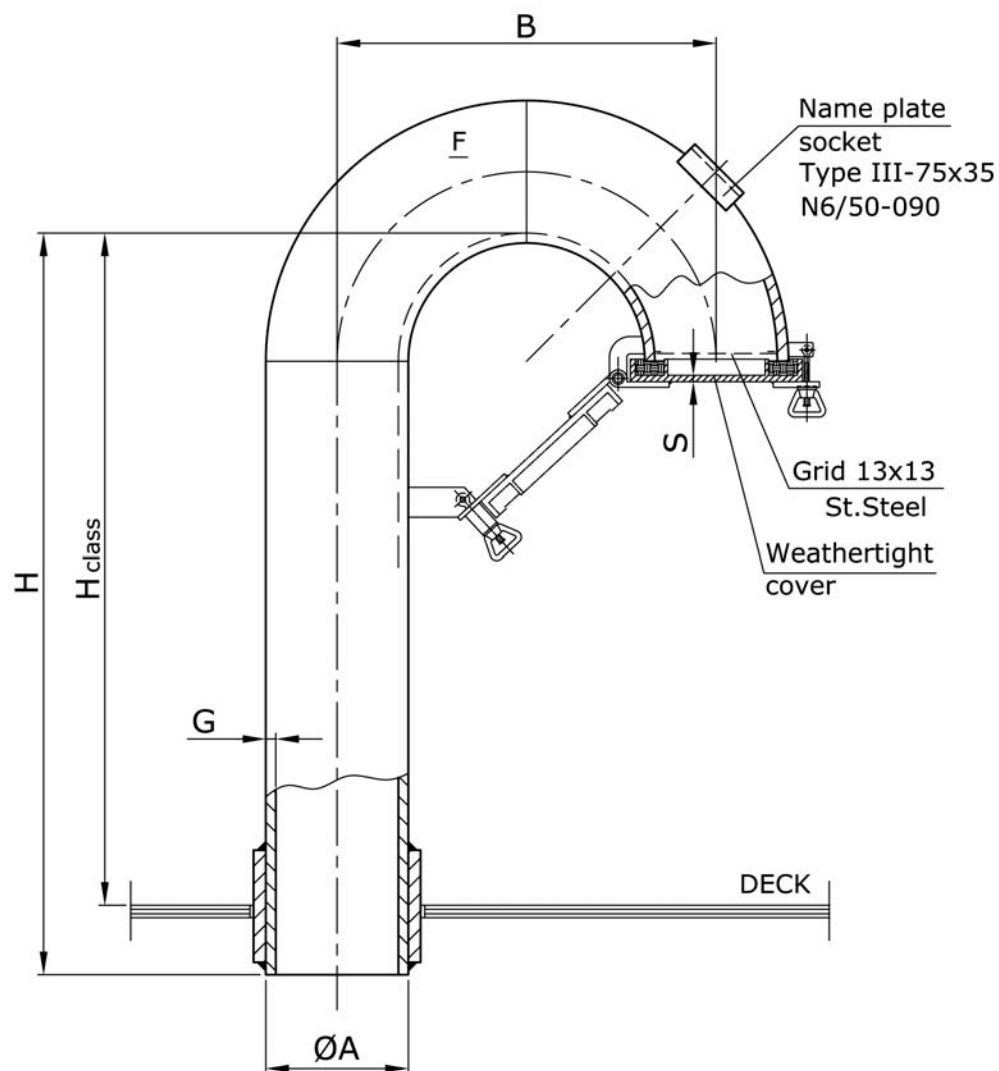
D – without reinforcing sleeve and with spiral pipe connection

E – with reinforcing flange



Dimension H must be specified by the Customer.

Dimensions [mm]					
DN	$\varnothing A \times G$	B	F	S	$\varnothing C$
50	60.3x6.3	152	6.3	4	76.1x7.1
65	76.1x6.3	190	6.3	4	90.6x6.3
80	88.9x6.3	228	6.3	4	101.6x5.0
100	114.3x8.0	304	8.0	4	133.6x8.8
125	139.7x8.8	362	8.8	4	161.5x10.0
160	168.3x8.8	458	8.8	5	193.7x12.0
200	219.1x10	610	8.8	5	245.7x11.0
250	273.0x10	762	8.8	5	299.5x12.5
315	323.9x10	914	8.8	5	350.5x12.5



MARKING

Example: GN type head of nominal diameter DN=125mm, of height H=900mm, with weathertight cover Z and of A type, made of steel: GN 125-900-ZA-St