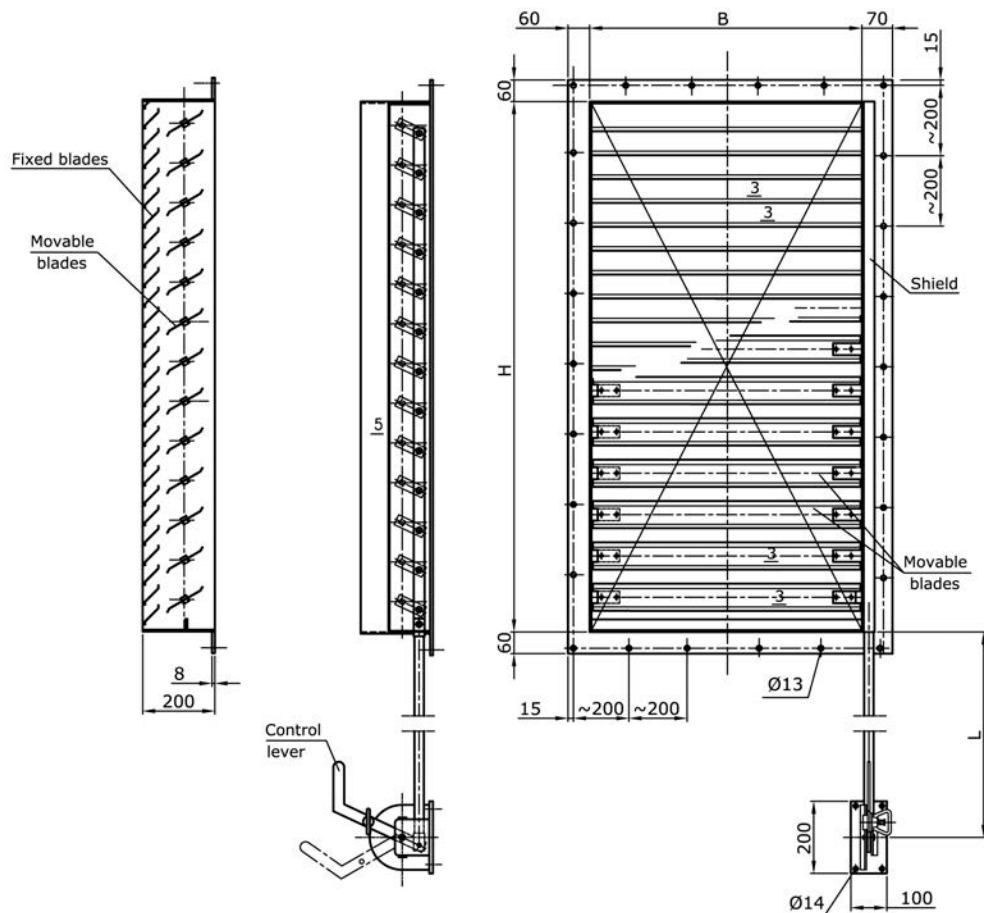


DESCRIPTION

Remotely controlled marine ventilation louvers with movable blades are destined for installation in ventilation systems of seagoing ships and offshore objects. Louvers may be used as fire closures of main external ventilation openings, however the requirements of the flag administration are to be observed. Louvers consist of flanged, drilled frame and a set of fixed blades as well as a set of movable blades operated manually with lever. Frame, blades and levers are made of mild steel and shafts of blades are made of stainless steel. Surface treatment: hot-dip galvanized. Preservation with set of marine paints is available on request.

DIMENSIONS

Dimensions [mm]		
B	H	L
250-1500 (each 50mm)	250-2050 (each 100mm)	max 2000


MARKING

Example: of remotely controlled ventilation louver with movable blades of dimension $B \times H \times L = 1000 \times 1550 \times 1500$: LOUVER 1000x1550-1500