

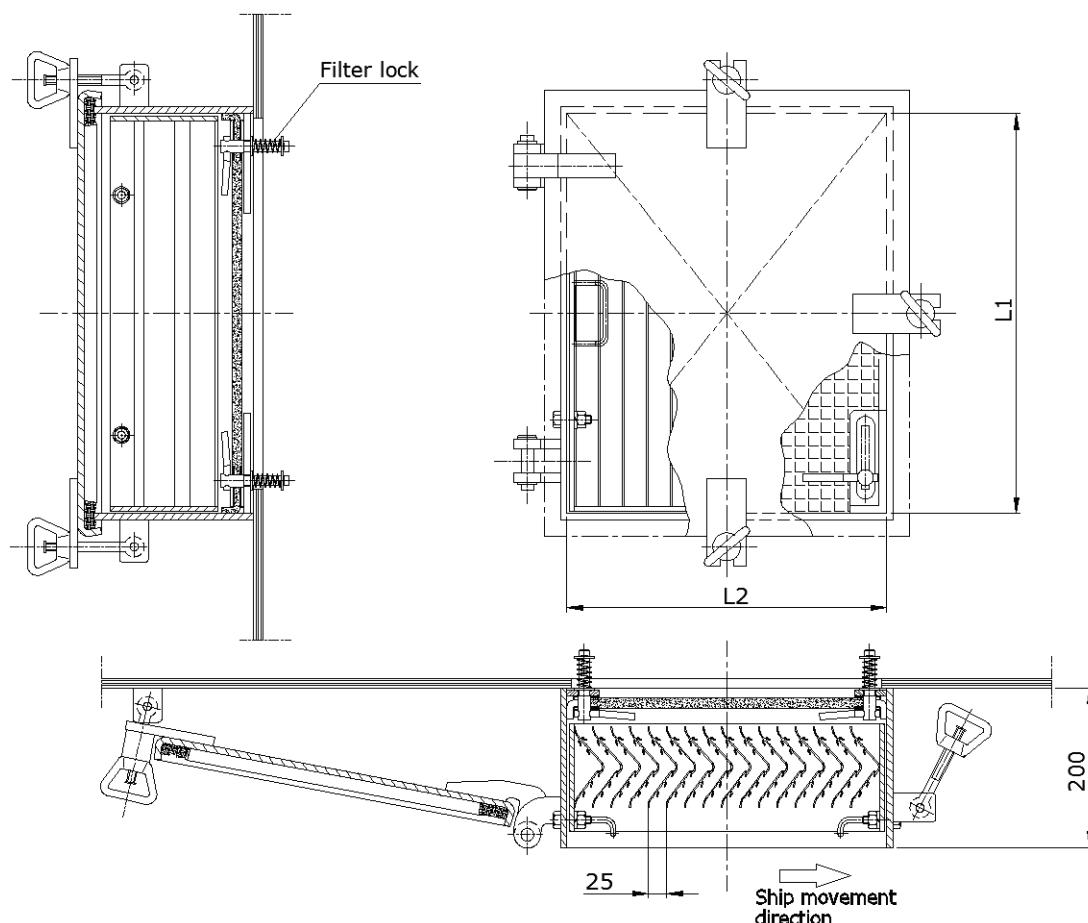
DESCRIPTION

Droplet eliminator louvers with air filters AC are destined for installation on steel or aluminum walls of superstructure on seagoing ships as air supply units of ventilation systems. Construction is based on standard DIN 83409 with significant extending of size range. Louvers are provided with detachable blade frame that makes easy installation as well as access for maintenance. After the blades EU3 class air filter is fitted. Material of filter is synthetic fabric. Initial pressure drop against the filter at air face velocity 3m/s is 70Pa (clean filter), recommended final pressure drop 140Pa. Steel louvers frame and cover are painted with marine epoxy paint SWA7423-013-250, blade frame is hot-dip galvanized. Aluminum louvers do not require any preservation.

TECHNICAL SPECIFICATION & DIMENSIONS

Executions:

- D – upwards opened cover
- E – downwards opened cover
- F – cover opened to the left
- G – cover opened to the right



MARKING:

Example: louver with AC filter, size $L_1 \times L_2 = 900 \times 500$, execution F, made of steel: 900x500-AC-F-St