

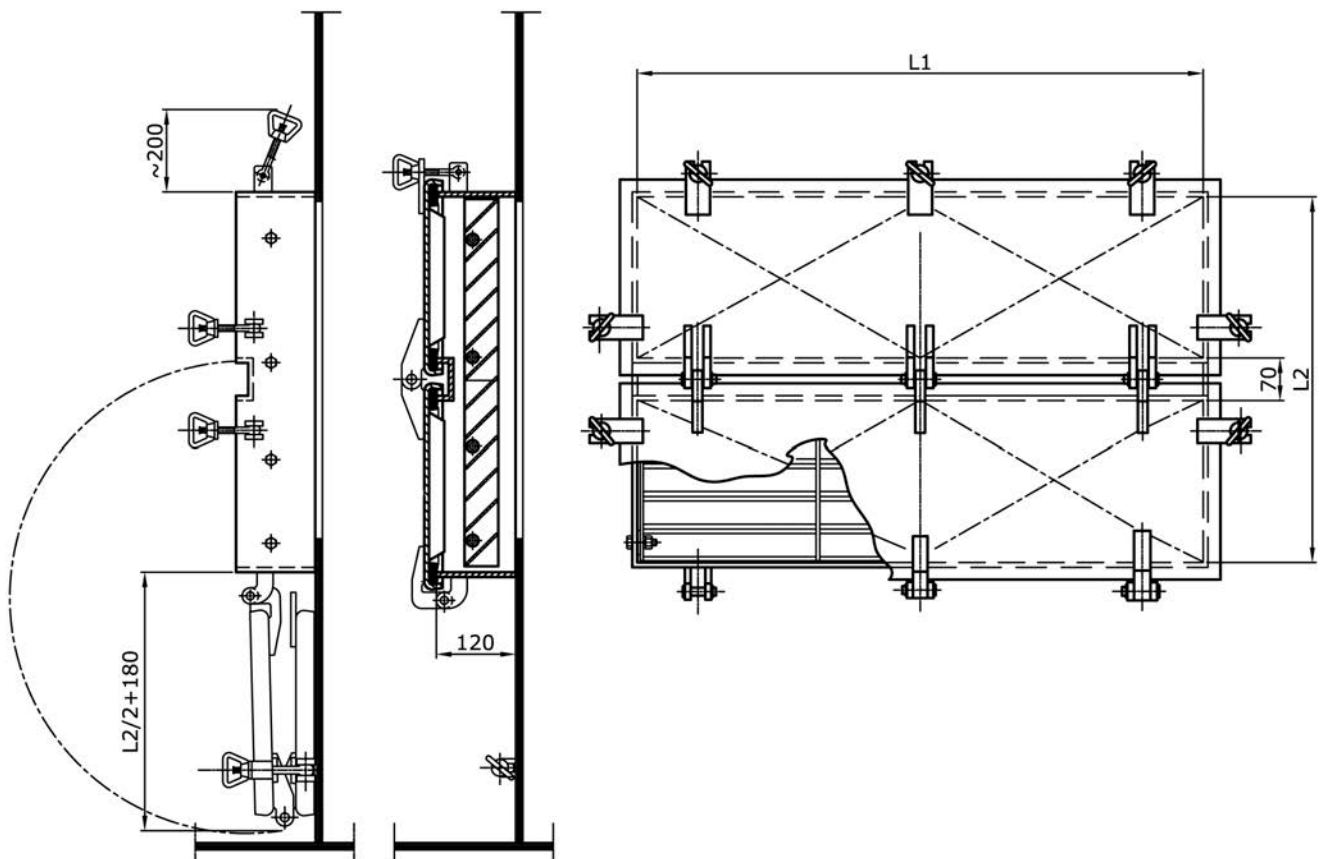
DESCRIPTION

Ventilation louvers with folded weather-tight covers are destined for installation on steel or aluminum walls of superstructure on seagoing ships as air supply or exhaust units of ventilation systems. Construction is based on standard DIN 83409 norm with significant extending of size range. Louvers are provided with detachable blade frame that makes easy installation as well as access for maintenance. Arrangement of covers provides savings of space required for fitting of cover in open position. Steel louvers frame and cover are painted with marine epoxy paint SWA 7423-013-250, blade frame is hot-dip galvanized. Aluminum louvers do not require any preservation.

TECHNICAL SPECIFICATION & DIMENSIONS

Fittings:

- 1 – louver with blade frame, without wire gauze
- 2 – louver with blade frame and wire gauze of 10mm mesh
- 3 – louver with wire gauze of 10mm mesh, without blade frame



MARKING

Example: louver with folded cover, size $L_1 \times L_2 = 900 \times 500$, fittings 2, made of steel: 900x500-2-St